

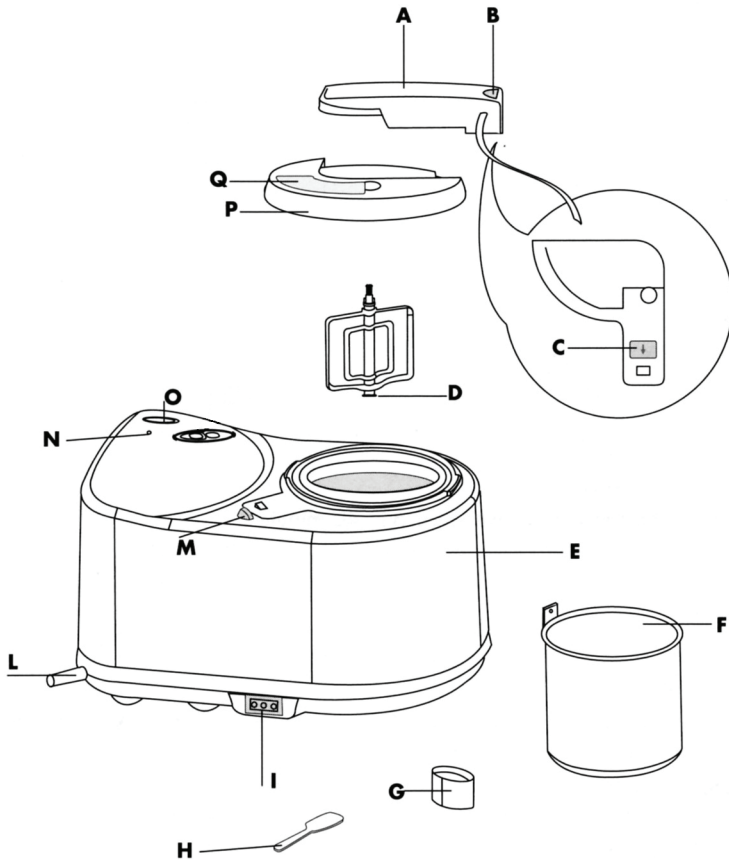
gelato talent

INSTRUCTIONS FOR USE AND RECIPES
MODE D'EMPLOI ET RECUEIL DE RECETTES
GEBRAUCHSANWEISUNG UND REZEPTBUCH
ISTRUZIONI PER L'USO E RICETTARIO
GEBRUIKSAANWIJZING EN RECEPTEN
INSTRUCCIONES PARA EL EMPLEO Y RECETARIO
INSTRUÇÕES PARA O USO E RECEITAS
ΟΔΗΓΙΕΣ ΧΡΗΣΕΩΣ ΚΑΙ ΟΔΗΓΟΣ ΣΥΝΤΑΓΩΝ
ИНСТРУКЦИИ ПО ЭКСПЛУАТАЦИИ И СБОРНИК РЕЦЕПТОВ



www.nemox.com

NEMOX[®]
PROFESSIONAL CLASS



ELECTRICAL CONNECTION (UK ONLY)

- A) If your appliance comes fitted with a plug, it will incorporate a 13 Amp fuse. If it does not fit your socket, the plug should be cut off from the mains lead, and an appropriate plug fitted, as below.
WARNING: Very carefully dispose of the cut off plug after removing the fuse: do not insert in a 13 Amp socket elsewhere in the house as this could cause a shock hazard. With alternative plugs not incorporating a fuse, the circuit must be protected by a 15 Amp fuse.

WARNING - THIS APPLIANCE MUST BE EARTHED IMPORTANT

The wires in the mains lead are coloured in accordance with the following code:

Green and yellow:	Earth
Blue:	Neutral
Brown:	Live



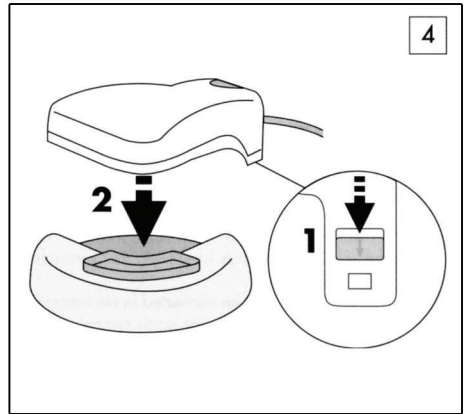
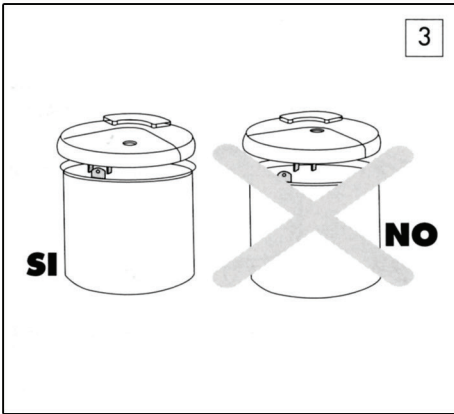
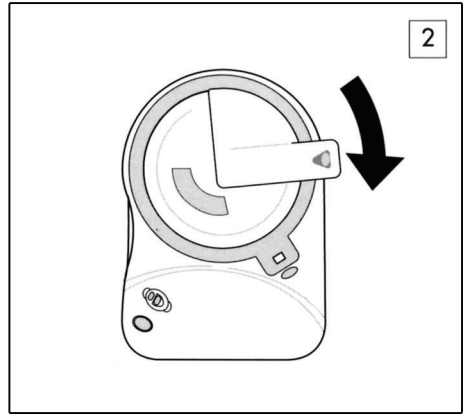
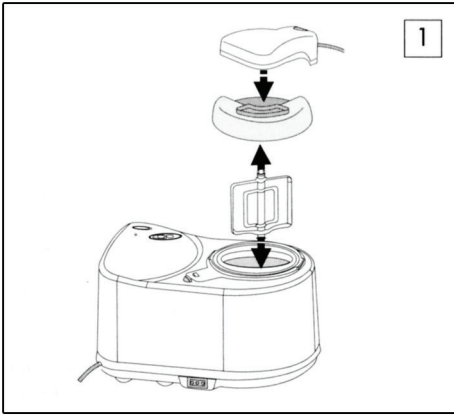
- If the plug is a moulded-on type, the fuse cover must be refitted when changing the fuse using a 13 Amp Asta approved fuse to BS 1362. In the event of losing the fuse cover, the plug must NOT be used until a replacement fuse cover can be obtained from your nearest electrical dealer. The colour of the correct replacement fuse cover is that as marked on the base of the plug.
- B) If your appliance is not fitted with a plug, please follow the instructions provided below:

As the colours of the wires in the mains lead may not correspond with the coloured markings identifying the terminals in your plug, proceed as follows:

The green and yellow wire must be connected to the terminal in the plug marked with the letter E or the earth symbol \perp or coloured green or green and yellow.

The blue wire must be connected to the terminal marked with the letter N or coloured black.

The brown wire must be connected to the terminal marked with the letter L or coloured red.



EAC

made in italy by

 **NEMOX**[®]
PROFESSIONAL CLASS

CE

IMPORTANT SAFEGUARDS

When using electrical appliances, basic safety precautions should always be followed including the following:

1. Read this instruction booklet carefully before installing and using the machine.
2. Check voltage to be sure that the voltage indicated on the name plate agrees with your voltage.
3. To protect against risk of electric shock, do not immerse electric motor assembly of appliance in water or any other liquid.
4. This appliance has not been designed to be used by persons (including children) with physical, sensory or mental impairments or who are lacking in experience or knowledge, unless they have been given the necessary supervision and prior instructions about how to use this appliance by a person responsible for their safety. Young children should be supervised to ensure that they do not play with the appliance.
5. Unplug from outlet when not in use, before putting on or taking off parts, and before cleaning.
6. The supply cable must not be replaced by the user, as this requires the use of special tools. If the supply cable is damaged, contact an authorized Service Center.
7. Avoid contact with moving parts. Keep hands and utensils out of cylinder bowl while in use to reduce the risk of injury to persons or to the appliance itself. **DO NOT USE SHARP OBJECTS OR UTENSILS INSIDE THE CYLINDER BOWL!** Sharp objects will scratch and damage the inside of the cylinder bowl. A rubber spatula or wooden spoon may be used, when the appliance is in the "off" position.
8. Do not operate any appliance with a damaged cord or plug or after the appliance malfunctions, or is dropped or damaged in any manner. Return appliance to the nearest authorized service center for examination, repair or electrical or mechanical adjustment.
9. The use of attachments not recommended or sold by the appliance manufacturer may cause fire, electric shock or injury.
10. Do not use outdoors.
11. Do not let cord hang over edge of table or counter or touch hot surfaces.
12. The appliance must NEVER be laid on its side or turned upside down.
13. Use the appliance away from heat sources. Keep it at a distance of at least 20 cm from walls or other objects which could obstruct free air circulation.
14. All maintenance other than normal cleaning must be performed by a service centre authorized by the manufacturer.
15. The appliance must be connected to an efficiently earthed socket with a minimum rating of 5A. The manufacturer declines all liability for damage caused by the lack of an efficient earth. If in doubt, contact a qualified electrician.
16. Materials and articles destined for use in contact with food products are conform to the EC Regulation 1935/2004. This appliance complies with the requirements of the Low Voltage Directive 2006/95/EC, and the Electromagnetic Compatibility Directive 2004/108/EC.
17. This appliance is suitable for use with 32°C max. ambient temperature (climatic class "N").

SAVE THESE INSTRUCTIONS

DESCRIPTION

- A Dasher motor
- B ON/OFF switch
- C Cover release button
- D Patented dasher
- E Appliance body
- F Removable cylinder
- G Measure
- H Scoop

- I Socket for dasher motor cable
- L Power cable
- M Cover release button
- N Indicator light
- O Chilling switch
- P Cover
- Q Cover opening

OPERATION

1. Plug the appliance into the mains socket.
2. Turn on the chilling switch at least five minutes before pouring in the ingredients.
3. Position the cover complete with dasher motor assembly and hook to the base.
4. Turn on the ON/OFF switch.
5. Pour in the ingredients.

The ice cream will be ready in between 20 and 40 minutes.

The time required to obtain the ice cream depends on the nature, temperature and quantity of ingredients used and room temperature.

USING FOR THE FIRST TIME

IMPORTANT: leave the appliance horizontal on a flat surface for at least 12 hours before using it for the first time.

- The same procedure should be adopted every time the appliance is placed in a non-horizontal position for whatever reason.
- Before use, thoroughly wash all parts coming into contact with the ice cream (such as the fixed cylinder, removable cylinder, dasher and transparent cover).

PREPARING THE MIXTURE

- Choose a recipe and prepare the suitably blended ingredients. Take care to:
- Clean fruit and other ingredients of waste before using.
- Use ingredients at refrigerator temperature to reduce ice cream preparation times.
- Do not exceed the total quantity of 800 g of mixture in order to allow for the correct increase in volume.

PREPARING THE ICE CREAM

1. Position the appliance near a socket on a flat stable surface.
2. Place the appliance so as to allow adequate space all round to avoid obstructing the ventilation grills at the sides.
3. Check that the voltage indicated on the rating plate corresponds to the mains voltage. Plug the appliance into the mains socket.
4. Turn on the chilling switch (O) on the body of the appliance. The indicator light (N) comes on to indicate that the chilling system is operating. Wait five minutes before pouring in the ingredients.
5. In the meantime, hook the motor assembly to the cover and insert the dasher (fig. 1). Close the appliance by resting the assembled section (motor assembly, cover and dasher) on the

- body and rotating clockwise until it hooks into place (fig. 2).
6. Insert the dasher motor assembly plug into the socket (I) on the appliance body.
 7. After five minutes, turn on the mixing motor by pressing the ON/OFF switch (B), then pour in the ingredients through the opening in the cover.
 8. Do not more than half fill the cylinder. During preparation, the mixture increases in volume.
 9. Ingredients should preferably be at refrigerator temperature. NEVER use hot ingredients.
 10. During preparation, you can add chocolate chips, raisins and other ingredients through the opening in the cover. Alcoholic beverages should not be added until the end of preparation as they considerably slow down chilling. During the last minutes of preparation, the ice cream expands in volume until it fills the cylinder.
 11. Preparation time may vary from between 20 to 40 minutes depending on the recipe chosen and the quantity and temperature of the ingredients used.

IMPORTANT: avoid turning off the chilling switch (O) before the ice cream is ready. If the switch is turned off or in the event of power failure, the special device fitted to the compressor will prevent the chilling process from continuing for about five minutes, jeopardising the success of the ice cream.

12. When the ice cream has reached a good consistency, the dasher rotation direction is reversed, indicating that the ice cream is ready. This movement does not damage either the motor or dasher, but it is nevertheless good practice to stop the dasher.
13. If you require slightly denser ice cream, leave the chilling switch (O) on for a further 5-10 minutes

IMPORTANT: remember to turn the chilling switch off, otherwise the ice cream will turn into a block of ice.

14. Turn off the ON/OFF switch (B), unplug the appliance, remove the motor and transparent cover by rotating anticlockwise. To facilitate extraction of the ice cream, also remove the dasher (D).
15. Remove the ice cream from the cylinder using the special scoop (H) provided. Alternatively, use a plastic or wooden spoon to avoid damaging the walls and bottom of the cylinder.
16. A few minutes after removing the ice cream, when the cylinder is no longer too cold, remove ice cream residues with a damp cloth or kitchen paper and dry thoroughly.

USING THE REMOVABLE CYLINDER

Pour a measure (25 ml) of alcohol or any spirits (grappa, brandy) into the fixed cylinder. Alternatively, you can use a solution of water and salt (5 g of salt diluted in 20 ml of water). Place the removable cylinder (F) inside the fixed cylinder, inserting it completely.

It is extremely important to perform this operation precisely in order for the cold to be transmitted correctly from the fixed cylinder to the removable cylinder and thus guarantee the success of the ice cream.

Hook the motor assembly to the cover and insert the dasher (fig. 1).

Close the appliance by resting the assembled section (motor assembly, cover and dasher) on the body of the appliance, making sure the housing on the transparent cover coincides with the hook on the handle of the removable cylinder (fig. 3), then

rotating clockwise until it hooks into place.

Turn on the chilling switch (O), wait five minutes then proceed with preparation of the ice cream as described for use of the fixed cylinder.

When the ice cream is ready, remove the cover and take out the cylinder. Then clean and dry the salt solution or alcohol from the fixed cylinder.

KEEPING THE ICE CREAM

In the ice cream maker

When the ice cream is ready, it can be kept covered in the ice cream maker itself for about 10 to 20 minutes with the motor off. Before serving, rework for several minutes until it reaches the right consistency and degree of whipping.

In the freezer

You can keep the ice cream for a limited period in the freezer, however keeping it for too long does not improve either the flavour or quality. After one or two weeks, the structure of the ice cream deteriorates and the fresh taste is lost. Fresh ice cream has a better flavour.

If you want to keep the ice cream in the freezer, follow these rules:

- Keep the ice cream in a clean and well-sealed freezer container.
- Keep at a minimum temperature of -18°C .

Indicate the date of preparation and type of ice cream on the container.

IMPORTANT

Ice cream is susceptible to bacteria. The ice cream maker and tools must therefore be kept scrupulously clean and dry.

Never re-freeze unfrozen or semi-frozen ice cream.

Remove the ice cream from the freezer about half an hour before serving and place it in the refrigerator. It can also be left for 10/15 minutes at room temperature to reach the most suitable temperature for consumption.

KEEPING TIMES

Ice cream made from raw ingredients: **± 1 week**

Sorbets: **1-2 weeks**

Ice cream made from semi-cooked ingredients: **2 weeks**

CLEANING THE APPLIANCE

When making ice cream, hygiene is of primary importance.

Before cleaning the ice cream maker, make sure the appliance is unplugged from the mains socket.

To release the cover from the dasher motor, use the cover release button (C) under the motor assembly (fig. 4).

The cylinder, dasher and cover can be washed in warm water with washing up liquid. To remove the cover, use the lid release button located under the motor assembly.

The fixed cylinder must be washed pouring some water inside it and cleaning with a soft cloth. Then rinse and dry with a cloth.

Do not wash any of the components in a dishwasher.

The motor assembly can be cleaned with a damp cloth.

Never immerse the motor in water and do not rinse under the tap.

IMPORTANT: When the removable aluminium cylinder is used, it is extremely important to clean all parts coming into contact with the salt solution thoroughly to avoid corrosion.

HELPFUL HINTS

- Certain recipes involve cooking. Prepare them at least a day previously to ensure they chill completely and expand. It is always advisable to chill the basic mixture.
- In the case of cold mixtures, the best results are obtained by beating the eggs and sugar with an electric whisk. This helps increase the volume of the mixture.
- The majority of mixtures consist of cream, milk, eggs and sugar. You can use whatever cream you wish, but the flavour and texture will change greatly according to the quality of cream chosen. The higher the percentage of fat in the cream, the richer the ice cream will be. For example, whole cream contains a minimum of 36% fat, whipped cream 30%, cream for coffee or skimmed cream 18% and half cream plus half milk 10%. In all cases, the important thing is to always maintain the same quantity of liquid. For example, the lightest ice cream can be made by using more milk than cream, or by eliminating the cream altogether. You can also use skimmed milk, but the texture of the ice cream will be very different.
- The ice cream mixture can be kept in the refrigerator for a number of days. Shake it well before pouring it into the cylinder.
- Add the mixture until the cylinder is no more than half full. The mixture increases in volume during preparation.
- Alcoholic ingredients slow down the chilling process. Liqueurs should therefore be added during the final minutes of preparation.
- The flavour of sorbets depends largely on the degree of ripeness and sweetness of the fruit and juice used. Taste the fruit before adding to the recipe. If it is too acid, add sugar. If it is very ripe, add less sugar or leave it out altogether. Remember that cold reduces sweetness.
- Sweeteners can be used in place of sugar. In this case, add the sweetener to the mixture and mix until completely dissolved.
- Mixtures which require heating must not be poured into the cylinder until they are completely cold.
- If you want to make the mixture sweeter during preparation, do not add sugar directly into the cylinder (it does not dissolve). You are recommended to dissolve the sugar in a little water or skimmed milk and pour the resulting syrup (cooled) into the cylinder.
- The fruit used in the recipes must always be washed and dried before use. Even when not specified, fruit must always be peeled, shelled, destoned, etc.
- To reduce the quantity of ice cream, the quantities indicated can be broken down or halved.
- When using raw eggs, make sure they are fresh by breaking them one at a time into a container and checking that:
 1. they do not have a bad smell;
 2. the white is not watery but dense and adhering to the yolk;
 3. the yolk is round and swollen.

WHAT COULD GO WRONG?

Under normal conditions, ice cream preparation does not require more than 40 minutes.

If the ice cream is still not formed after 40 minutes, check the following points before contacting an authorised service centre.

- The ingredients must be poured into the ice cream maker at room temperature or, preferably, at refrigerator temperature. Ice cream cannot be made from hot ingredients.
- The cylinder must not be more than half filled (maximum quantity of ingredients: 800 g). If the quantity of ingredients is excessive, the time required to form the ice cream increases considerably and the result may not be satisfactory.
- The compressor is fitted with a safety device. In the event of power failure, or if the appliance is turned off then on again for any reason, operation of the chilling system is interrupted. If this device trips, the appliance must be left for five minutes before turning on again. If the five minute pause is not respected, operation will not commence, even if the chilling button is in the ON position and the relative indicator light is on.

You are strongly recommended to check all the above points before contacting the authorised service centre. If the service centre does not find a fault, the user will be required to cover the costs of the tests.

ICE CREAM

CARROT ICE CREAM

INGREDIENTS: 250 g sugar, 1.3 kg tender carrots, 1 lemon, 4 dl whipping cream

Scrape and wash the carrots, place in a juice extractor and extract the juice. Place in a saucepan, dilute with one decilitre of water and place on a low flame together with the sugar and lemon juice.

Cook for five minutes without allowing to boil, then remove from the flame and leave to cool. Blend in the cream, mixing well, and place the mixture in the refrigerator to cool. Pour the mixture into the ice cream maker and operate for about 30 min.

TEA ICE CREAM

INGREDIENTS: 4 dessertspoons of tea, the juice of 3 oranges, 1/2 litre single cream, 2 eggs, sugar, 1/2 glass of water

Bring the water to the boil and pour over the tea. Leave to steep for 3 minutes. Strain, leave to cool and place in the refrigerator. Mix the cooled tea extract, single cream, orange juice and egg yolk vigorously in a blender. When the mixture is well blended, pour into the ice cream maker and operate for about 30 minutes.

NOUGAT ICE CREAM

INGREDIENTS: 30 g candied lime peel, 40 g candied pumpkin, 30 g sweet almonds, 20 g pistachios, 250 g sugar, 1 dl milk, 4 egg yolks, 1 sachet vanilla sugar

Prepare the cream with the milk, castor sugar, vanilla sugar and egg yolks. When the mixture is foamy, add the pistachios, almonds and pieces of candied lime and pumpkin. Mix well and pour into the ice cream maker. Operate for about 30-40 minutes.

DATE ICE CREAM

INGREDIENTS: 200 g dates, 200g milk, 150 g single cream, 1 dessertspoon of malt

Stone the dates and remove any skin that comes away easily. Chop finely, add the malt and dilute with the milk and cream. Mix well and pour into the ice cream maker. Operate for about 30 minutes.

This procedure can also be used to make apricot or prune ice cream.

RICE AND RAISIN ICE CREAM

INGREDIENTS: 150 g parboiled rice, 50 g raisins, 1/2 l milk, 2 dessertspoons of honey, 1 vanilla pod, 1 pinch of salt, the juice and peel of one lemon, orange peel.

Cook the rice in milk together with the raisins and vanilla. Bring to the boil, salt and cook over a low flame until the milk is almost completely absorbed. Remove the vanilla and leave to cool. Grate the lemon and orange peel and squeeze the lemon. Add the cooled rice and honey. Blend all the ingredients and pour into the ice cream maker. Operate for about 30 minutes.

CHESTNUT ICE CREAM

INGREDIENTS: 250 g chestnut purée, 250 g milk, 100 g cream, 1 egg, 2 dessertspoons of honey, a pinch of salt

To obtain the purée, peel the chestnuts, weigh and then blanch in boiling water for a few minutes to facilitate removal of the skin. If you use dried chestnuts, first soften them by soaking overnight in cold water, then drain. Pour the milk and cream into a saucepan, bring to the boil, add the chestnuts, lightly salt and leave to cook slowly for about an hour. When the chestnuts are well cooked, reduce to a cream using a potato masher or purée maker. Add the honey and mix vigorously or blend for a few minutes to homogenise. When the mixture is well cooled, pour into the ice cream maker and operate for about 30 minutes.

MOUSSE

Mousses are particularly light and "frothy" ice creams made by adding whipped cream or beaten egg white to the ingredients used. Mousses can be chilled in variously-shaped moulds or between two biscuits, as suggested by the most classical tradition.

CARAMELISED WALNUT MOUSSE

INGREDIENTS: 2/3 cups of chopped walnuts, 185 g sugar, 1/2 l milk, 3 egg yolks, 1 cups whipped cream, 1/2 vanilla pod

Open the vanilla and use it to flavour the milk. Prepare a soft smooth cream by cooking the egg yolks, milk, a third of the sugar and a pinch of salt in a Bain Marie. Remove the vanilla at the end. Caramelize the rest of the sugar separately. Add the walnuts and pour into a buttered pan. Leave the mixture patiently to cool. When cold and well-solidified, break up and grind with a blender. Add the pieces of caramel to the cream prepared previously. Mix well with a wooden spoon then fold in the whipped cream delicately. Pour the mixture into the ice cream maker and operate for about 30 minutes.

CHOCOLATE MOUSSE

INGREDIENTS: 75 g plain chocolate, 185 g sugar, 4 cups of whipped cream, 1 teaspoon of vanilla, salt.

Dissolve the chocolate in three quarters of a cup of boiling water and add to the cream. Mix in the sugar, a pinch of salt and the vanilla thoroughly, then pour the mixture into the ice cream maker and operate for about 30 minutes.

CHERRY MOUSSE

INGREDIENTS: 500 g stoned cherries in syrup, 4 eggs, 300 g sugar, 250 g milk, 1 vanilla pod.

In a bowl, blend the three egg yolks with a third of the castor sugar to obtain a soft creamy mixture. At the same time, heat the milk, flavouring it with the vanilla pod (which must later be removed) and add it a little at a time, mixing it with the egg yolks and sugar. Cook the egg mixture in a Bain Marie until it thickens, then mixing constantly pour the mixture into a container with ice and cool. Prepare a syrup by dissolving the remaining sugar with 4-5 dessertspoons of milk and bring it to the boil. Remove from the heat. Beat the egg whites stiffly, then add the sugar syrup slowly, continuing to mix vigorously until a soft mixture is obtained. Blend this with the egg cream, mixing delicately from the bottom upwards to avoid deflating. Drain the syrup from the cherries and cut them in half. Add to the prepared mixture. Mix and thicken slightly in the ice cream maker, then pour into the ice tray, cooled by placing in the freezer for at least four hours.

STRAWBERRY MOUSSE

INGREDIENTS: 500 g strawberries, 370 g lemon sugar, 1 cup single cream, salt.

Wash the strawberries, sprinkle with sugar and leave for two hours. Pass them through a fine sieve and add a pinch of salt. Place the cream in the freezer until it has the consistency of foam, then add the strawberry juice a little at a time. Pour into the ice cream maker and operate for about 30 minutes.

FIG SORBET

INGREDIENTS: 500 g ripe figs, 50 g cane sugar,
100 g milk, the juice of 1/2 lemon

Peel the figs. Blend the figs with the sugar, milk and lemon juice. Pour into the ice cream maker and operate until the required consistency is reached.

WATER MELON SORBET

INGREDIENTS: 500 g water melon pulp, 100 g sugar, 100 g water, 100 g single cream, lemon juice

Cut the water melon pulp into pieces, removing all the seeds and retaining as much juice as possible. Blend together with the lemon juice. Prepare the syrup separately by boiling the sugar dissolved in the water and a couple of dessertspoons of water melon juice for several minutes

Leave the syrup to cool. Whip the cream. Mix all the ingredients, incorporating the fruit and syrup with the cream and taking care not to allow it to deflate. Pour into the ice cream maker and operate until the required consistency is reached.

RASPBERRY SORBET

INGREDIENTS: 500 g ripe raspberries, 100 g sugar, 150 g water, 1 egg white, lemon juice

Wash the raspberries rapidly and delicately under a light jet of running water. Remove the stems and cover with the lemon juice sweetened with a little sugar. At the same time, prepare the syrup by boiling the water and sugar together in a saucepan for about 10 minutes. Leave to cool, then blend all the ingredients before pouring into the ice cream maker.

KIWI SORBET

INGREDIENTS: 500 g ripe kiwis, 50 g sugar, lemon juice

Peel the kiwi fruit and cut into slices. Blend the kiwis for several minutes together with the sugar and lemon juice. Pour into the ice cream maker and operate until the required consistency is reached.

MANDARIN SORBET

INGREDIENTS: 4 ripe mandarins, 1 orange, 150 g sugar, 250 g water, 200 g single cream.

Firstly, prepare the syrup by boiling the water and sugar together in a saucepan for about 10 minutes. While still hot, add the grated orange peel and leave to cool. In the meantime, squeeze the mandarins and half the orange and add the juice to the cooled syrup.

Mixing thoroughly, fold in the whipped cream, pour the mixture into the ice cream maker and operate until the required consistency is reached.

AVERTISSEMENTS IMPORTANTES

Pendant l'utilisation des appareils électriques, il est indispensable de respecter scrupuleusement quelques règles de sécurité fondamentales, en particulier:

1. Lire attentivement le mode d'emploi avant d'installer et utiliser l'appareil.
2. Ne pas plonger le moteur dans l'eau ou autres liquides: **danger de secousses électriques.**
3. Cet appareil n'est pas prévu pour être utilisé par des personnes (y compris les enfants) dont les capacités physiques, sensorielles ou mentales sont réduites, ou des personnes dénuées d'expérience ou de connaissance, sauf si elles ont pu bénéficier, par l'intermédiaire d'une personne responsable de leur sécurité, d'une surveillance ou d'instructions préalables concernant l'utilisation de l'appareil. Il convient de surveiller les enfants pour s'assurer qu'ils ne jouent pas avec l'appareil.
4. Débrancher l'appareil de la prise de courant quand il n'est pas utilisé et avant de le démonter ou de le nettoyer.
5. Le cordon d'alimentation de cet appareil ne doit pas être remplacé par l'utilisateur car son remplacement nécessite l'emploi d'outils spéciaux. Si le cordon est abîmé, s'adresser uniquement à un Centre de Service Après-vente agréé par le fabricant.
6. Ne pas toucher les parties en mouvement. Afin d'éviter tout risque d'accidents ou de dommages à l'appareil, ne pas toucher avec les mains, les cheveux, les vêtements ou avec des spatules ou autres ustensiles l'appareil lorsqu'il est en marche. **NE PAS UTILISER D'OBJETS OU USTENSILES COUPANTS A L'INTERIEUR DU BOL.** Ceux-ci risquent en effet de griffer ou abîmer le revêtement intérieur du bol. Une spatule en caoutchouc ou une cuillère en bois peuvent être utilisées lorsque l'appareil est éteint.
7. Ne pas utiliser l'appareil dans les cas suivants: si le cordon d'alimentation ou la fiche sont abîmés, après un fonctionnement anormal de l'appareil, si l'appareil est tombé par terre ou s'il a été endommagé de quelque façon que ce soit. En pareils cas, il est recommandé de s'adresser au centre de Service Après-Vente le plus proche pour les réparations.
8. L'emploi d'accessoires qui n'ont pas été expressément conçus pour cet appareil pourrait entraîner des risques d'incendie ou des secousses électriques.
9. Ne pas utiliser l'appareil à l'extérieur.
10. Ne pas laisser pendre le cordon d'alimentation le long du bord de la table ou du plan de travail et éviter que le cordon soit en contact avec des surfaces chaudes.
11. Cet appareil a été conçu pour un usage domestique. Toute opération d'entretien ne concernant pas le nettoyage normal de l'appareil doit être effectuée par un centre de Service Après-Vente agréé.
12. L'appareil ne doit JAMAIS être couché sur le côté ni renversé.
13. Ne jamais placer l'appareil à proximité d'une source de chaleur ni à moins de 20 cm des murs ou d'objets qui limiteraient la circulation d'air.
14. Pour les opérations d'entretien autres que le nettoyage ordinaire, contacter le Centre d'Assistance Agréé.
15. Ne brancher l'appareil que sur une prise électrique d'une intensité minimale de 10 A et équipée d'une mise à la terre efficace. Le fabricant n'est pas responsable des éventuels dégâts découlant du manque de mise à la terre. En cas de doute, s'adresser à un spécialiste.
16. Les matériaux et les objets, qui sont en contact avec des produits alimentaires, sont conformes aux dispositions du Règlement CEE 1935/2004. Cet appareil est conforme aux prescriptions de la Directive de Basse Tension 2006/95/CE et de la Directive pour la Compatibilité Electromagnétique 2004/108/CE.
17. Cet appareil appartient à la classe climatique "N" pour l'utilisation avec une température ambiante de 32°C.

CONSERVER SOIGNEUSEMENT LE MODE D'EMPLOI

DESCRIPTION

- | | |
|---|--|
| A Moteur palette de malaxage | I Prise cordon moteur palette |
| B Interrupteur ON/OFF | L Cordon d'alimentation |
| C Bouton-poussoir de déblocage couvercle | M Bouton d'ouverture du couvercle |
| D Palette de malaxage brevetée | N Lampe témoin |
| E Corps principal de la machine | O Interrupteur de refroidissement |
| F Bol extractible | P Couvercle |
| G Doseur | Q Ouverture couvercle |
| H Palette | |

FONCTIONNEMENT

1. Brancher la fiche de la machine sur une prise de courant
2. Allumer l'interrupteur de refroidissement au moins 5 minutes avant de verser les ingrédients
3. Positionner le couvercle équipé du moteur de la palette de malaxage et le fixer sur la base.
4. Allumer l'interrupteur ON/OFF
5. Verser les ingrédients

La préparation de la glace peut varier de 20 à 40 minutes.

Le temps nécessaire pour obtenir la glace dépend de la nature et de la quantité des ingrédients utilisés ainsi que de la température ambiante.

PREMIÈRE UTILISATION

IMPORTANT : laisser la machine sur une surface plane et à l'horizontale au moins 12 heures avant de l'utiliser la première fois.

- suivre cette procédure chaque fois que la machine, quelle que soit la raison, a été posée dans une position non horizontale.
- Avant d'utiliser la machine, laver soigneusement tous les éléments qui entrent en contact avec la glace : bol fixe, bol extractible, palette et couvercle transparent.

PRÉPARATION DU MÉLANGE

- Choisir une recette et préparer les ingrédients correctement amalgamés. Veiller à
- Utiliser des fruits et des ingrédients déjà nettoyés
- Utiliser les ingrédients à une température réfrigérateur pour réduire le temps de préparation de la glace.
- Pour avoir une augmentation de volume correcte, ne pas dépasser 800 g de mélange en tout.

PRÉPARATION DE LA GLACE

1. Poser l'appareil près d'une prise de courant, sur une surface plane et stable.
2. Laisser suffisamment d'espace autour de la machine pour ne pas obstruer les grilles de ventilation sur les côtés.
3. Contrôler si le voltage indiqué sur la plaque signalétique correspond à celui du secteur. Brancher la fiche sur la prise de courant
4. Allumer l'interrupteur de refroidissement (**O**) situé sur le corps de la machine. Le témoin (**N**) s'allume pour signaler que le système de refroidissement est en marche. Attendre 5 minutes avant de verser les ingrédients

5. Entre temps, fixer le corps moteur sur le couvercle et introduire la palette de malaxage (fig. 1). Fermer l'appareil en posant la partie assemblée (corps moteur, couvercle et palette de malaxage) contre le corps de la machine puis tourner dans le sens des aiguilles d'une montre jusqu'à l'accrocher (fig. 2).
6. Introduire la fiche du corps moteur palette de malaxage dans la prise (I) sur le corps de la machine.
7. Au bout de 5 minutes, appuyer sur ON/OFF pour actionner le moteur de malaxage (B) et verser lentement les ingrédients par l'ouverture du couvercle.
8. Ne pas dépasser la moitié du bol car le mélange augmentera de volume au cours de la préparation.
9. Utiliser de préférence des ingrédients à température réfrigérateur, JAMAIS d'ingrédients chauds !
10. Au cours de la préparation, on peut ajouter, à travers la fente du couvercle, des paillettes de chocolat, des raisins secs et autres ingrédients. Ajouter les liqueurs vers la fin de la préparation car elles ralentissent considérablement le refroidissement. Au cours des dernières minutes de préparation, la glace augmentera de volume jusqu'à remplir le bol.
11. Le temps de préparation peut varier de 20 à 40 minutes en fonction de la recette choisie, de la quantité et de la température des ingrédients utilisés.

ATTENTION : éviter d'éteindre l'interrupteur de refroidissement (O) avant d'avoir terminé la préparation de la glace. Le cas échéant, ou par manque de courant pour une raison quelconque, le dispositif spécial dont est équipé le compresseur bloquera le refroidissement pendant 5 minutes, compromettant la bonne réussite de la glace.

12. Dès que la glace atteint une bonne consistance, la palette change de sens de rotation pour indiquer que la glace est prête. Ce mouvement ne détériore absolument pas le moteur ni la palette, mais il est de bonne règle d'arrêter celle-ci.
13. Pour obtenir une glace plus consistante, laisser l'interrupteur de refroidissement (O) allumé encore 5 à 10 minutes.

ATTENTION : ne pas oublier d'éteindre l'interrupteur de refroidissement autrement la glace se transformera en un énorme glaçon.

14. Éteindre l'interrupteur ON/OFF (B), retirer la fiche, enlever le moteur et le couvercle transparent en tournant en sens inverse ses aiguilles d'une montre. Pour faciliter l'extraction de la glace, retirer également la palette (D)
15. Enlever la glace du bol à l'aide de la palette (H) fournie avec l'appareil ou avec une cuillère en plastique ou en bois, pour ne pas abîmer les parois ni le fond du bol.
16. Quelques minutes après avoir enlevé la glace, dès que le bol est un peu moins froid, éliminer les résidus de glace avec un linge humide ou avec de l'essuie-tout et le sécher soigneusement.

UTILISATION DU BOL EXTRACTIBLE

Pour utiliser le bol extractible, procéder de la façon suivante.

Verser dans le bol fixe une dose d'alcool ou de liqueur (marc, brandy) ; une dose équivalente à 25 ml. Autrement, utiliser une solution d'eau salée (5 g de sel dilués dans 20 ml d'eau). Introduire le bol extractible (F) dans le bol fixe.

Cette opération est très importante pour que le froid soit correctement transmis du bol fixe au bol extractible et pour bien réussir la glace.

Fixer le corps moteur sur le couvercle et introduire la palette de malaxage (fig. 1)

Fermer l'appareil en posant la partie assemblée (corps moteur, couvercle et palette de malaxage) contre le corps de la machine et en veillant à faire coïncider le logement dans le couvercle transparent avec la tache du manche du bol extractif (fig. 3) puis tourner dans le sens des aiguilles d'une montre jusqu'à l'accrocher.

Allumer l'interrupteur de refroidissement (O) et attendre environs 5 minutes avant de préparer la glace selon le même procédé qu'avec le bol fixe.

Dès que la glace est prête, retirer le couvercle et enlever le bol. Éliminer du bol fixe la solution saline ou l'alcool et essuyer le bol.

CONSERVATION DE LA GLACE

Dans la sorbetière

Quand la glace est prête, on peut la couvrir et la conserver dans la sorbetière 10 à 20 minutes, moteur arrêté. Avant de la servir, la malaxer de nouveau quelques minutes pour lui redonner sa consistance idéale.

Au freezer

La glace peut se conserver (temps limité) au freezer mais une longue période au freezer n'améliore certes pas son goût ni sa qualité. Au bout de 1 à 2 semaines, la structure de la glace diminue et le goût frais disparaît. La glace fraîche a meilleur goût.

Pour conserver la glace au freezer, respecter ces quelques règles :

Conserver la glace dans un récipient spécial freezer parfaitement propre et bien fermé.

La température de conservation doit être au minimum de - 18° C.

Indiquer sur le récipient la date de la préparation et le type de glace.

ATTENTION

La glace est sensible aux bactéries. Il est par conséquent impératif que la sorbetière et les ustensiles soient parfaitement propres et secs.

Ne jamais recongeler de glace à moitié ou entièrement décongelée

Sortir la glace du freezer et la mettre au réfrigérateur environ une demi-heure avant de la servir. Eventuellement, la laisser sortie 10 à 15 minutes pour obtenir la température idéale de consommation.

PERIODE DE CONSERVATION

Glace à base d'ingrédients crus :	± 1 semaine
Sorbets :	1-2 semaines
Glace à base d'ingrédients demi-cuits :	± 2 semaines

NETTOYAGE DE L'APPAREIL

L'hygiène est la chose la plus importante à observer lorsqu'on fait de la glace.

Avant de nettoyer la sorbetière, s'assurer d'avoir enlevé la fiche de la prise de courant.

Pour décrocher le couvercle du moteur de malaxage, agir sur le bouton (C) de déblocage, sous le moteur (fig. 4).

Le bol de réfrigération, la palette de malaxage et le couvercle peuvent se laver à l'eau tiède + détergent.

Nettoyer le bole fixe versand de l'eau à l'interior et en utilisant une eponge. Puis le rincer et le sécher avec un chiffon doux.

Ne jamais plonger le moteur dans l'eau ni le rincer sous e robinet.

Ne laver aucune pièce de l'appareil dans le lave-vaisselle. Le bloc moteur peut se nettoyer avec un linge humide.

ATTENTION : Avec le bol extractible en aluminium, il est très important de nettoyer soigneusement tous les éléments en contact avec la partie saline, pour éviter les phénomènes de corrosion.

CONSEILS UTILES

- Certaines recettes prévoient un temps de cuisson. Les préparer au moins un jour à l'avance pour qu'elles refroidissent complètement et qu'elles montent. Il est toujours préférable de laisser refroidir la préparation de base.
- Dans le cas de préparations froides, le résultat est meilleur si l'on fouette les oeufs et le sucre avec un batteur électrique. Cela permet d'obtenir un mélange plus volumineux.
- La plupart des préparations sont à base de crème fraîche, lait, oeufs et sucre. Toutes les crèmes peuvent s'utiliser, mais le goût et la consistance varieront considérablement en fonction de la qualité. Plus le contenu en matière grasse de la crème est élevé, plus la glace sera riche. Par exemple: la crème entière contient au moins 36% de matières grasses, la crème fouettée 30%, la crème pour le café ou la crème écrémée 18%, et moitié crème + moitié lait 10%. L'important est de toujours maintenir la même quantité de liquide. Par exemple, pour préparer de la glace plus légère, utiliser plus de lait que de crème ou éliminer totalement la crème. On peut également utiliser du lait écrémé, mais la glace aura une consistance très différente.
- Le mélange pour la glace peut rester au réfrigérateur plusieurs jours. Il suffit de bien le battre avant de le verser dans le bol de la sorbetière.
- Verser le mélange dans le bol en ne le remplissant qu'à moitié : le volume du mélange augmentera au cours de la préparation.
- L'alcool ralentit le processus de réfrigération. Il vaut donc ajouter les liqueurs au cours des dernières minutes de préparation.
- Le goût des sorbets dépend énormément du degré de maturation et de sucré des fruits et du jus utilisé. Goûter les fruits avant de commencer la recette. S'ils sont aigres, ajouter du sucre, s'ils sont très mûrs, mettre moins de sucre ou pas du tout sans oublier, toutefois, que le froid diminue le goût de sucré.
- On peut également remplacer le sucre par des édulcorants. Dans ce cas, ajouter l'édulcorant à la préparation et mélanger pour bien le dissoudre.
- Les préparations réchauffées doivent refroidir complètement avant d'être versées dans le bol.
- Pour rendre la recette plus sucrée, éviter pendant la préparation d'ajouter le sucre directement dans le bol (il ne fondra pas). Nous conseillons de le faire fondre dans un peu d'eau ou de lait écrémé et de verser ensuite le sirop obtenu (refroidi) dans le bol de la sorbetière.
- Les fruits utilisés pour les recettes doivent toujours être lavés et essuyés ; de plus, même si cela n'est pas précisé, les fruits doivent être pelés, décortiqués, dénoyautés, etc.
- Pour diminuer la quantité de glace, fractionner ou réduire de moitié les doses indiquées.

- Vérifier la fraîcheur des œufs en les cassant un par un dans un bol et en s'assurant:
 1. qu'ils n'aient pas mauvaise odeur ;
 2. que le blanc ne soit pas aqueux mais dense et qu'il adhère au jaune ;
 3. que le jaune soit rond et gonflé.

PANNES POSSIBLES

Normalement, la préparation de la glace n'exige pas plus de 40 minutes.

Si au bout de 40 minutes la glace n'est pas encore prête, vérifier tous les points suivants avant d'appeler le centre d'assistance agréé.

- Les ingrédients doivent être versés dans la sorbetière à température ambiante ou, mieux, à température réfrigérateur. Si les ingrédients sont chauds, la préparation de la glace est impossible.
- Le bol ne doit pas être trop rempli : ne pas dépasser la moitié (maximum 800 g d'ingrédients). Si la quantité d'ingrédients est excessive, le temps requis pour former la glace augmentera considérablement et pourra compromettre le résultat escompté.
- En cas de manque de courant ou si la machine, pour une raison quelconque, est arrêtée et remise en marche, le dispositif de sécurité sur le compresseur bloque le refroidissement. Le cas échéant, laisser reposer le dispositif 5 minutes avant de le remettre en marche. Si cette pause n'est pas respectée, l'appareil ne repartira pas, même si le bouton de refroidissement est sur ON et son témoin allumé.

Nous recommandons vivement de vérifier tous les points susmentionnés avant d'appeler le service après-vente. Si le SAV ne détecte aucune anomalie dans le fonctionnement de l'appareil, les frais découlant de ce contrôle seront à la charge de l'utilisateur.

GLACE À LA CAROTTE

INGRÉDIENTS : 250 g de sucre, 1,3 kg de carottes tendres, 1 citron, 4 dl de crème à fouetter

Éplucher et laver carottes, les passer à la centrifugeuse et extraire le jus. Dans une casserole, verser le jus et le diluer dans un décilitre d'eau, incorporer le sucre et le jus de citron et faire cuire à feu doux pendant 5 minutes. Pendant la cuisson, éviter de faire bouillir le mélange. Le retirer du feu et le laisser tiédir. Incorporer la crème, bien amalgamer et poser le récipient au réfrigérateur. Verser le mélange dans la sorbetière et laisser l'appareil en marche environ 30 minutes.

GLACE AU THÉ

INGRÉDIENTS : 4 cuillerées à café de thé, le jus de trois oranges, 1/2 litre de crème liquide, 2 œufs, sucre, 1/2 verre d'eau

Faire bouillir l'eau, la verser sur le thé et laisser infuser 3 minutes. Filtrer, laisser refroidir et mettre au réfrigérateur. Travailler énergiquement au mixeur l'extrait de thé bien froid avec la crème liquide, le jus d'orange et les jaunes d'œufs. Dès que le mélange est bien amalgamé, le verser dans la sorbetière et laisser l'appareil en marche environ 30 minutes.

GLACE AU NOUGAT

INGRÉDIENTS : 30 g de cédrat confit, 40 g de citrouille confite, 30 g d'amandes douces, 20 g de pistaches, 250 g de sucre, 1 dl de lait, 4 jaunes d'œufs, 1 sachet de sucre vanillé.

Préparer une crème avec le lait, le sucre en poudre, le sucre vanillé et les jaunes d'œufs. Dès que le mélange mousse, ajouter les pistaches, les amandes, le cédrat et la citrouille coupée en petits morceaux. Bien amalgamer le tout, le verser dans la sorbetière et laisser l'appareil en marche 30-40 minutes.

GLACE AUX DATTES

INGRÉDIENTS : 200 g de dattes, 200 g de lait, 150 g de crème liquide, 1 cuillerée de malte d'orge

Dénoyer les dattes et les priver de leur peau qui se détache plus facilement. Les hacher finement, ajouter le malte d'orge et diluer dans le lait et la crème. Bien amalgamer, verser le mélange dans la sorbetière et laisser l'appareil en marche environ 30 minutes.

Ce procédé s'adapte également à la préparation de glaces à base d'abricots ou de pruneaux.

GLACE AU RIZ ET AUX RAISINS SECS

INGRÉDIENTS : 150 g de riz demi-complet, 50 g de raisins secs, 1/2 l de lait, 2 cuillerées de miel, 1 gousse de vanille, 1 pincée de sel, le jus et l'écorce d'un citron, l'écorce d'une orange.

Cuire le riz dans le lait avec les raisins secs et la vanille. Faire bouillir, saler et faire cuire à feu doux jusqu'à ce que le lait soit complètement absorbé. Retirer la vanille et laisser refroidir. Râper l'écorce du citron et de l'orange et presser le citron. Ajouter le miel au riz refroidi. Mixer tous les éléments, verser le mélange dans la sorbetière et laisser l'appareil en marche environ 30 minutes.

GLACE AUX CHÂTAIGNES

INGRÉDIENTS : 250 g de châtaignes décortiquées et pelées, 250 g de lait, 100 g de crème, 1 œuf, 2 cuillerées de miel, 1 pincée de sel

Châtaignes fraîches : décortiquer les châtaignes, les peser et les plonger quelques minutes dans l'eau bouillante pour les peler plus facilement.

Châtaignes séchées : les laisser tremper toute une nuit dans l'eau froide pour les ramollir, puis les égoutter.

Verser le lait et la crème dans une casserole, faire bouillir, ajouter les châtaignes, saler légèrement et laisser cuire lentement pendant une heure environ. Quand les châtaignes sont bien cuites, les passer au presse-purée ou à la moulinette, en ajoutant éventuellement du lait pour obtenir la bonne consistance.

Incorporer le miel et mélanger énergiquement ou mixer quelques instants pour homogénéiser le tout. Quand le mélange a bien refroidi, le verser dans la sorbetière et laisser l'appareil en marche environ 30 minutes.

MOUSES

Les mousses sont des glaces très légères et moelleuses, qui incorporent aux ingrédients utilisés la crème fouettée ou les blancs d'œufs battus en neige. Elles peuvent être mises à refroidir dans des moules de formes diverses ou entre deux biscuits, selon la meilleure tradition.

MOUSSE AUX NOIX CARAMÉLISÉES

INGRÉDIENTS : 500 g de noix hachées, 185 g de sucre, 1/2 l de lait, 3 jaunes d'œufs, 1 tasse de crème fouettée, 1/2 gousse de vanille.

Ouvrir la vanille et aromatiser le lait. Préparer une crème moelleuse et lisse en faisant bouillir au bain-marie les jaunes d'œufs, le lait, un tiers du sucre et une pincée de sel ; retirer la gousse de vanille à la fin.

À part, faire caraméliser le reste de sucre, y ajouter les noix, verser dans un moule beurré et laisser refroidir. Une fois que le mélange est froid et solidifié, le casser en morceaux et le passer au mixeur. L'ajouter à la crème préparée précédemment, bien mélanger avec une cuillère en bois et incorporer délicatement la crème fouettée. Verser le mélange dans la sorbetière et laisser l'appareil en marche environ 30 minutes

MOUSSE AUX CIOCCOLATE

INGRÉDIENTS : 75 g de chocolat noir, 185 g de sucre, 4 tasses de crème fouettée, 1 cuillerée à café de vanille, sel.

Faire fondre le chocolat dans trois quarts de tasse d'eau bouillante et l'ajouter à la crème. Incorporer également le sucre, une pincée de sel et la vanille. Verser le tout dans la sorbetière et laisser l'appareil en marche pendant 30 minutes environ.

MOUSSE AUX CERISES

INGRÉDIENTS: 500 g de cerises au sirop dénoyautées, 4 œufs, 300 g de sucre, 250 g de lait, une gousse de vanille

Dans une terrine, travailler trois jaunes d'œufs et un tiers du sucre jusqu'à obtenir un mélange moelleux et velouté. Entre temps, chauffer le lait aromatisé avec la gousse de vanille (qu'on enlèvera ensuite) et le verser peu à peu en y incorporant les jaunes d'œufs et le sucre. Faire cuire le mélange au bain-marie jusqu'à ce qu'il épaississe. Le verser, sans cesser de remuer, dans un récipient contenant des glaçons et laisser refroidir. D'autre part, préparer un sirop : faire fondre le restant de sucre dans 4 à 5 cuillerées d'eau et faire bouillir, puis retirer du feu. Fouetter les blancs d'œufs en neige ferme. Incorporer lentement le sirop de sucre tout en mélangeant énergiquement jusqu'à obtenir un mélange moelleux que vous unirez à la crème d'œufs, en mélangeant doucement de bas en haut sans fatiguer la pâte. Retirer les cerises de leur sirop et les égoutter. En hacher environ la moitié avant de les incorporer au mélange préparé.

Mélanger et faire légèrement épaissir dans la sorbetière puis verser dans le bac à glace refroidi et le laisser dans le freezer pendant au moins 4 heures.

MOUSSE AUX FRAISES

INGRÉDIENTS : 500 g de fraises, 370 g de sucre, citron, 1 tasse de crème liquide, sel

Laver les fraises, les saupoudrer de sucre et les laisser reposer 2 heures. Les passer à la passoire fine et ajouter une pincée de sel. Mettre la crème dans le freezer jusqu'à obtenir la densité d'une mousse puis incorporer peu à peu le jus de fraise. Verser le tout dans la sorbetière et laisser l'appareil en marche environ 30 minutes.

SORBET AUX FIGUES

INGRÉDIENTS : 500 g de figues mûres, 50 g de sucre de canne, 100 g de lait, le jus de 1/2 citron

Peler les figues. Passer les figues au mixeur avec le sucre, le lait et le jus de citron. Verser le tout dans la sorbetière et faire fonctionner l'appareil jusqu'à obtenir la consistance souhaitée.

SORBET À LA PASTÈQUE

INGRÉDIENTS : 500 g de chair de pastèque, 100 g de sucre, 100 g d'eau, 100 g de crème liquide, jus de citron

Couper la chair de pastèque en petits morceaux, éliminer tous les pépins et récupérer le jus puis la passer au mixeur avec le jus de citron. À part, préparer le sirop : faire bouillir pendant quelques minutes le sucre délayé dans l'eau additionnée de quelques gouttes de jus de pastèque.

Laisser refroidir le sirop. Fouetter la crème. Mélanger tous les ingrédients et incorporer les fruits et le sirop à la crème, mais sans la fouetter. Verser le tout dans la sorbetière et laisser l'appareil en marche jusqu'à obtenir la consistance souhaitée.

SORBET À LA FRAMBOISE

INGRÉDIENTS : 500 g de framboises mûres, 100 g de sucre, 150 g d'eau, un blanc d'œuf, jus de citron

Laver rapidement et délicatement les framboises sous un filet d'eau courante. Les égoutter et les arroser de jus de citron légèrement sucré. Entre temps, préparer le sirop : dans une casserole, faire bouillir l'eau et le sucre pendant environ 10 minutes. Laisser refroidir et passer tous les ingrédients au mixeur avant de les verser dans la sorbetière.

SORBET AU KIWI

INGRÉDIENTS : 500 g de kiwis mûrs, 50 g de sucre, jus de citron.

Peler les kiwis, les couper en tranches et les passer au mixeur pendant quelques minutes avec le sucre et le jus de citron. Verser le mélange dans la sorbetière et laisser l'appareil en marche jusqu'à obtenir la consistance souhaitée.

SORBET À LA MANDARINE

INGRÉDIENTS : 4 mandarines mûres, 1 orange, 150 g de sucre, 250 g d'eau, 200 g de crème liquide

Préparer le sirop : dans une casserole, faire bouillir l'eau et le sucre pendant environ 10 minutes. Ajouter l'écorce râpée de l'orange au sirop encore tiède et laisser refroidir. Entre temps, presser les mandarines et une demi-orange puis ajouter le jus au sirop refroidi.

Incorporer délicatement la crème fouettée puis verser le mélange dans la sorbetière et laisser en marche jusqu'à obtenir la consistance souhaitée.

WICHTIGE HINWEISE

Während dem Gebrauch elektrischer Geräte müssen einige Sicherheitsvorschriften beachtet werden. Im einzelnen:

1. Lesen Sie die Gebrauchsanweisung vor der Installation und Inbetriebnahme des Gerätes aufmerksam durch.
2. Tauchen Sie den Motor nicht ins Wasser oder in andere Flüssigkeiten: Gefahr von Stromschlägen.
3. Dieses Gerät darf weder von physisch noch von geistig behinderten oder in ihrer Bewegung eingeschränkten Personen (einschließlich Kinder) benutzt werden. Auch dürfen Personen die weder Erfahrung noch Kenntnis im Umgang mit dem Gerät haben, dieses erst nach Anweisungen durch eine für ihre Sicherheit zuständige Person in Betrieb nehmen. Kinder müssen überwacht werden, damit sie mit dem Gerät nicht spielen.
4. Ist das Gerät außer Betrieb bzw. vor dem Zerlegen und vor der Reinigung ziehen Sie stets den Netzstecker.
5. Das Netzkabel darf nicht vom Benutzer ausgewechselt werden, weil dieser Vorgang Spezialwerkzeug erfordert. Wenn das Kabel repariert oder ausgewechselt werden muss, wenden Sie sich ausschließlich an eine vom Hersteller autorisierte Kundendienststelle.
6. Berühren Sie keine laufenden Teile. Um Unfälle oder die Beschädigung des Gerätes zu verhindern, dieses während dem Betrieb nicht mit den Händen, mit Haaren, Kleidern, Schabern oder anderen Utensilien berühren. Keine scharfen Gegenstände im Korbinneren verwenden. Das Korbinneren könnte verkratzt oder beschädigt werden. Ein Gummischaber oder ein Holzlöffel können bei ausgeschalteter Maschine verwendet werden.
7. Verwenden Sie das Gerät nicht, wenn das Netzanschlusskabel oder der Stecker beschädigt ist.
Verwenden Sie es weiterhin nicht, wenn eine Betriebsstörung vorliegt, nach einem Fall oder wenn es auf irgendeine Weise beschädigt worden ist. In diesen Fällen sollte das Gerät zur Reparatur in die nächstgelegene autorisierte Kundendienststelle gebracht werden.
8. Die Verwendung von Zubehörteilen, die nicht speziell für dieses Gerät geschaffen wurden, kann Brand oder Stromschläge verursachen.
9. Das Gerät nicht im Freien verwenden.
10. Achten Sie darauf, dass das Netzanschlusskabel nicht über die Tisch- oder Arbeitsflächenkante hinausragt und vermeiden Sie dessen Kontakt mit heißen Oberflächen
11. Dieses Gerät wurde für den Einsatz im Haushalt konzipiert. Jede Wartungstätigkeit, die über die normale Reinigung hinausgeht, muss in einer vom Hersteller autorisierten Kundendienststelle erfolgen.
12. Das Gerät darf NIE auf die Seite gelegt oder umgekippt werden.
13. Benutzen Sie das Gerät nicht in der Nähe von Wärmequellen, und in mindestens 20 cm Entfernung von Wänden oder Gegenständen, die die ungehinderte Lüftung einschränken könnten.
14. Jeder Wartungseingriff, der über die normale Reinigung hinausgeht, darf nur von einer vom Hersteller autorisierten Kundendienststelle ausgeführt werden.
15. Das Gerät muss mit einer Steckdose mit Mindeststromfestigkeit 5 A an ein Stromnetz angeschlossen werden, das über eine effiziente Erdung verfügt. Der Hersteller haftet nicht für eventuelle Schäden, die durch das Fehlen der Erdung der Anlage verursacht wurden. In Zweifelsfällen wenden Sie sich bitte an den Fachmann.
16. Die benutzten Materialien und die Gegenstände, die für den Kontakt mit Lebensmitteln bestimmt sind, entsprechen den CE Verordnung 1935/2004. Dieses Gerät entspricht den Vorschriften der Richtlinie für Niederspannung 2006/95/CE sowie der Richtlinie der Elektromagnetischen Kompatibilität 2004/108/CE.
17. Diese Gerät gehört zur Kühlung Klasse N, ist für bis maximale 32° C Raumtemperatur geeignet .

BEWAHREN SIE DIE GEBRAUCHSANWEISUNG SORGFÄLTIG AUF

BESCHREIBUNG

- | | |
|--|------------------------|
| A Knetblatmotor | L Netzkabel |
| B EIN-/AUS-Schalter | M Deckelöffner |
| C Deckel-Freigabetaste | N Kontrolllampe |
| D Patentiertes Knetblatt | O Kühlschalter |
| E Maschinenkörper | P Deckel |
| F Herausnehmbarer Korb | Q Deckelöffnung |
| G Messbecher | |
| H Schaber | |
| I Anschlussbuchse für Knetblatmotor-Kabel | |

BETRIEB

1. Stecken Sie den Netzstecker der Maschine in eine Steckdose.
2. Schalten Sie den Kühlschalter mindestens 5 Minuten vor Einfüllen der Zutaten ein.
3. Setzen Sie den Deckel mitsamt Knetblatmotor auf und hängen Sie ihn an der Basis ein.
4. Betätigen Sie den EIN-/AUS-Schalter.
5. Füllen Sie die Zutaten ein.

Das Eis ist in 20 bis 40 Minuten fertig.

Die für die Eiszubereitung erforderliche Zeit hängt von der Art, Temperatur und Menge der verwendeten Zutaten, sowie von der Raumtemperatur ab.

ERSTMALIGER GEBRAUCH

WICHTIG: Bevor sie zum ersten Mal benutzt wird, muss die Maschine mindestens 12 Stunden lang auf einer ebenen Fläche stehen gelassen werden.

- Jedes Mal, wenn die Maschine aus irgendeinem Grund in nicht horizontaler Stellung aufbewahrt wurde, muss dies auch in der Folge beachtet werden.
- Vor dem Gebrauch müssen alle Teile, die mit dem Speiseeis in Berührung kommen – nämlich feststehender Korb, herausnehmbarer Korb, Knetblatt und durchsichtiger Deckel – sorgfältig gespült werden.

VORBEREITUNG DER MISCHUNG

- Wählen Sie ein Rezept und bereiten Sie die gut vermischten Zutaten vor. Folgendes beachten:
- Obst und Zutaten müssen bereits geputzt und ohne Abfall sein.
- Die Zutaten sollten Kühlschranktemperatur haben, um die Zubereitungszeit zu reduzieren.
- Überschreiten Sie nicht die Gesamtmenge von 800 g, damit die Mischung korrekt an Volumen zunehmen kann.

EISZUBEREITUNG

1. Stellen Sie das Gerät auf einer ebenen und stabilen Fläche in der Nähe einer Steckdose auf.
2. Um die Maschine herum muss ausreichend Raum frei sein, um die seitlichen Lüftungsgitter nicht zu behindern.
3. Vergewissern Sie sich, dass die am Typenschild angegebene Spannung mit der Netzspannung übereinstimmt. Stecken Sie den Stecker in die Steckdose.
4. Schalten Sie den Kühlschalter (**O**) am Maschinenkörper ein. Die Kontrolllampe (**N**) leuchtet auf und signalisiert somit, dass die Kühlanlage in Betrieb ist. Vor Einfüllen der Zutaten 5 Minuten abwarten.
5. In der Zwischenzeit das Motorgehäuse am Deckel einhängen und das Knetblatt einsetzen (Abb. 1).

Schließen Sie das Gerät, indem Sie den zusammengebauten Teil (Motorgehäuse, Deckel und Knetblatt) auf den Maschinenkörper setzen und dann bis zum Einrasten im Uhrzeigersinn drehen (Abb. 2).

6. Stecken Sie den Stecker des Knetblattmotors in die Steckerbuchse (I) am Maschinenkörper.
7. Drücken Sie nach 5 Minuten den EIN-/AUS-Schalter (B), um den Mischmotor in Gang zu setzen und füllen Sie dann die Zutaten über die Öffnung am Deckel ein.
8. Der Korb darf nicht mehr als zur Hälfte gefüllt werden; während der Zubereitung nimmt die Mischung an Volumen zu.
9. Verwenden Sie möglichst Zutaten mit Kühlschranktemperatur, NIE warme Zutaten.
10. Während der Zubereitung können über die Öffnung des Deckels Schokoladenraspeln, Rosinen und andere Zutaten hinzugeführt werden. Alkoholhaltige Zutaten sollten erst gegen Ende der Zubereitung hinzugefügt werden, da sie die Kühlung erheblich verlangsamen. Das Eis nimmt an Volumen zu, bis es in den letzten Minuten der Zubereitung den Korb ganz füllt.
11. Die für die Eiszubereitung erforderliche Zeit liegt zwischen 20 und 40 Minuten und hängt vom gewählten Rezept, sowie von der Menge und von der Temperatur der verwendeten Zutaten ab.

ACHTUNG: Schalten Sie den Kühlschalter (O) nicht aus, bevor das Eis fertig zubereitet ist. Falls dies dennoch passieren sollte, oder wenn aus irgendeinem Grund die Stromversorgung unterbrochen wird, blockiert eine Spezialvorrichtung des Verdichters die Fortsetzung des Kühlvorgangs für ca. 5 Minuten, wodurch das gute Gelingen des Eises beeinträchtigt wird.

12. Sobald das Eis eine gute Konsistenz erreicht hat, kehrt das Knetblatt die Drehrichtung um und signalisiert, dass das Eis fertig ist. Diese Bewegung schadet weder dem Motor noch dem Knetblatt, dennoch empfiehlt es sich, das Knetblatt anzuhalten.
13. Wenn man ein Eis mit festerer Konsistenz wünscht, den Kühlschalter (O) für weitere 5-10 Minuten eingeschaltet lassen.

ACHTUNG: Nicht vergessen, den Kühlschalter auszuschalten, sonst wird das Speiseeis zu einem Eisblock.

14. Den EIN-/AUS-Schalter (B) ausschalten, den Netzstecker ziehen, den Motor und den durchsichtigen Deckel durch Drehen gegen den Uhrzeigersinn abnehmen. Um das Eis einfacher herausnehmen zu können, auch das Knetblatt (D) entfernen.
15. Nehmen Sie das Eis mit Hilfe des mitgelieferten Schabers (H), oder anstelle des Schabers mit einem Plastik- oder Holzlöffel aus dem Korb, um die Wände und den Korbboden nicht zu beschädigen.
16. Ein paar Minuten, nachdem das Eis herausgenommen wurde, wenn der Korb nicht mehr allzu kalt ist, diesen mit einem feuchten Tuch oder mit Küchenkrepp von den Eisrückständen säubern, dann sorgfältig abtrocknen.

GEBRAUCH DES HERAUSNEHMBAREN KORBS

Für die Benutzung des herausnehmbaren Korbs folgendermaßen vorgehen:

Leeren Sie in den feststehenden Korb einen Messbecher mit Alkohol oder irgendeinem hochalkoholischen Getränk (Grappa, Brantwein); ein Messbecher entspricht 25 ml. Alternativ

dazu kann man auch eine Wasser-/Salzlösung verwenden (5 g Salz, aufgelöst in 20 ml Wasser). Dann den herausnehmbaren Korb (F) ganz in den feststehenden Korb einsetzen. Dieser Vorgang muss unbedingt korrekt durchgeführt werden, um eine korrekte Kälteübertragung vom feststehenden zum herausnehmbaren Korb, und somit das gute Gelingen des Eises zu ermöglichen.

Das Motorgehäuse am Deckel einhängen und das Knetblatt einsetzen (Abb. 1).

Das Gerät schließen, dazu den zusammengebauten Teil (Motorgehäuse, Deckel und Knetblatt) so auf den Maschinenkörper setzen, dass die Aussparung im durchsichtigen Deckel mit der Einhängung des Griffs des herausnehmbaren Korbs (Abb. 3) zusammenfällt, dann bis zum Einrasten im Uhrzeigersinn drehen.

Den Kühlschalter (O) einschalten, etwa 5 Minuten warten und dann das Eis genauso wie mit dem feststehenden Korb zubereiten.

Wenn das Eis fertig ist, den Deckel abnehmen und den Korb herausnehmen. Dann den feststehenden Korb von der Salzlösung bzw. dem Alkohol säubern und trocknen.

AUFBEWAHRUNG DES SPEISEEISES

In der Eismaschine

Das fertige Eis kann ca. 10-20 Minuten lang abgedeckt direkt in der Eismaschine aufbewahrt werden. Vor dem Servieren ein paar Minuten lang bearbeiten, damit es wieder die richtige Konsistenz erhält und richtig vermischt wird.

Im Gefrierschrank

Das Eis kann (für beschränkte Dauer) im Gefrierschrank aufbewahrt werden. Wenn es allzu lange im Gefrierschrank bleibt, wird dadurch jedoch sicher Geschmack und Qualität des Speiseeises beeinträchtigt. Nach 1-2 Wochen verringert sich die Struktur des Speiseeises und der frische Geschmack geht verloren. Frisches Speiseeis schmeckt besser.

Wenn Sie das Eis im Gefrierschrank aufbewahren wollen, beachten Sie bitte folgende Grundregeln:

Bewahren sie das Eis in einem perfekt sauberen und gut verschlossenen Gefrierbehälter auf.

Die Aufbewahrungstemperatur muss mindestens -18°C betragen.

Notieren Sie auf dem Behälter das Zubereitungsdatum und die Eissorte.

ACHTUNG

Speiseeis ist bakterienanfällig. Deshalb ist es sehr wichtig, dass die Eismaschine und die benutzten Utensilien ganz sauber und trocken sind.

Ganz oder teilweises aufgetautes bzw. geschmolzenes Eis darf nicht wieder gefroren werden.

Nehmen Sie das Eis etwa eine halbe Stunde vor Verzehr aus dem Gefrierschrank und stellen Sie es in den Kühlschrank. Eventuell können Sie es 10-15 Minuten bei Raumtemperatur stehen lassen, um die für den Verzehr geeignete Temperatur zu erreichen.

AUFBEWAHRUNGSDAUER

Speiseeis auf Basis von rohen Zutaten: ± 1 Woche

Sorbet: 1-2 Wochen

Speiseeis auf Basis von halbgaren Zutaten: ± 2 Wochen

REINIGUNG DES GERÄTS

Hygiene ist die wichtigste Grundregel, die bei der Eiszubereitung beachtet werden muss.

Vor Reinigung der Eismaschine muss sichergestellt werden, dass der Netzstecker aus der Steckdose gezogen wurde.

Um den Deckel vom Knetmotor zu lösen, die unter dem Motorgehäuse befindliche Freigabetaste (C) drücken (Abb. 4).

Kühlkorb, Knetblatt und Deckel können in warmem Wasser mit etwas Spülmittel gesäubert werden.

Geben Sie Wasser in den feststehenden Korb um dies zu reinigen. Spülen Sie mit Sauberem Wasser nach und trocken Sie gut ab.

Keine Teile der Maschine in der Spülmaschine spülen. Das Motorgehäuse kann mit einem feuchten Tuch gesäubert werden. Tauchen Sie den Motorteil nicht ins Wasser und spülen Sie ihn auf keinen Fall unter laufendem Wasser.

Trocknen Sie alle Teile gut ab; stellen Sie den Korb nicht wieder in den Gefrierschrank, solange er noch nass ist. Legen Sie das Knetblatt nicht in den Gefrierschrank.

ACHTUNG: Wenn der herausnehmbare Aluminiumkorb benutzt wird, müssen unbedingt alle Teile, die mit der Salzlösung in Berührung kommen, sorgfältig gesäubert werden, um Korrosion zu vermeiden.

NÜTZLICHE RATSCHLÄGE

- Bei einigen Rezepten müssen die Zutaten gekocht werden. Bereiten Sie diese mindestens einen Tag vorher vor, damit sie vollständig abkühlen und ihr Volumen erhöhen können. Die Grundmischung sollte in jedem Fall stets gekühlt werden.
- Bei kalt zubereiteten Mischungen werden bessere Ergebnisse erzielt, wenn die Eier und der Zucker mit einem elektrischen Handrührgerät geschlagen werden. Dadurch erhöht sich das Volumen der Mischung.
- Die meisten Mischungen bestehen aus Sahne, Milch, Ei und Zucker. Sie können jede beliebige Sahnesorte verwenden, der Geschmack und die Konsistenz verändern sich jedoch je nach gewählter Sahnequalität stark. Je höher der Fettanteil der Sahne, um so üppiger ist das Eis. Zum Beispiel: Sahne der Vollfettstufe hat einen Fettgehalt von mindestens 36%, Schlagsahne 30%, Kaffeesahne oder entrahmte Sahne 18% und eine Mischung halb Sahne+ halb Milch 10%. Wichtig ist jedoch, stets die gleiche Flüssigkeitsmenge beizubehalten. Sie können zum Beispiel ein kalorienärmeres Eis zubereiten, indem Sie mehr Milch als Sahne verwenden oder die Sahne vollständig ersetzen. Sie können auch entrahmte Milch verwenden, werden jedoch einen beachtlichen Unterschied bei der Eiskonsistenz feststellen.
- Die Mischung für das Eis kann einige Tage im Kühlschranks aufbewahrt werden. Schütteln Sie diese dann gut, bevor Sie sie in den Korb füllen.
- Füllen Sie den Korb nur bis zur Hälfte; die Mischung erhöht während der Bearbeitung ihr Volumen.
- Alkoholhaltige Getränke verlangsamen den Kühlprozess. Sie sollten daher erst während der letzten Bearbeitungsminuten zugegeben werden.
- Der Geschmack der Sorbets hängt stark von dem Reifegrad und der Süße der verwendeten Früchte bzw. des verwendeten Saftes ab. Probieren Sie das Obst, bevor Sie es hinzufügen. Ist es zu herb, geben Sie Zucker hinzu, ist es sehr reif, geben Sie weniger oder überhaupt keinen Zucker hinzu. Beachten Sie jedoch, dass die Kälte den Süßegehalt herabsetzt.
- Anstelle des Zuckers können Sie auch Süßstoff verwenden. In diesem Fall geben Sie den Süßstoff zur Mischung und mischen so lange, bis er sich vollständig aufgelöst hat.
- Mischungen, die erwärmt wurden, müssen erst vollständig abkühlen bevor Sie in den Korb gegeben werden.
- Möchten Sie das Rezept während der Zubereitung nachsüßen, dürfen Sie den Zucker nicht direkt in den Korb geben (er löst sich nicht auf). Lösen Sie ihn in etwas Wasser oder Magermilch auf und geben Sie den Sirup (gekühlt) in den Korb.
- Das bei den Rezepten verwendete Obst muss vor der Verwendung stets gewaschen und abgetrocknet werden. Auch wenn dies nicht ausdrücklich angegeben wird, muss das Obst außerdem geschält, enthüsst, entsteint usw. werden.
- Möchten Sie eine geringere Eismenge zubereiten, können Sie die angegebenen Mengen teilen oder halbieren.

- Wenn Sie rohe Eier verwenden, prüfen Sie deren Frische indem Sie sie nacheinander über einem Gefäß aufschlagen und kontrollieren, dass
 1. sie nicht unangenehm riechen;
 2. das Eiweiß nicht wässrig sondern zäh und mit dem Eigelb verbunden ist;
 3. das Eigelb rund und gewölbt ist.

WAS KÖNNTE UNTER UMSTÄNDEN NICHT FUNKTIONIEREN?

Unter normalen Bedingungen dauert die Eiszubereitung nicht mehr als 40 Minuten.

Wenn sich das Speiseeis nach 40 Minuten nicht gebildet hat, vor Anforderung eines Eingriffs einer autorisierten Kundendienststelle alle nachstehenden Punkte überprüfen.

- Die Zutaten müssen bei Raumtemperatur, oder besser noch, bei Kühlschranktemperatur in die Eismaschine gegeben werden. Mit warmen Zutaten kann kein Eis zubereitet werden.
- Der Korb darf nicht mehr als zur Hälfte seines Fassungsvermögens gefüllt werden (max. Zutatenmenge 800 g). Bei zu hoher Zutatenmenge erhöht sich die für die Eiszubereitung erforderliche Zeit erheblich und das Ergebnis könnte unter Umständen nicht zufriedenstellend sein.
- Am Verdichter befindet sich eine Sicherheitsvorrichtung, die im Falle eines Stromausfalls oder wenn die Maschine aus irgendeinem Grund wiederholt aus- und wieder eingeschaltet wird, den Betrieb der Kühlvorrichtung unterbricht. In diesen Fällen vor dem erneuten Einschalten 5 Minuten abwarten. Wenn die fünfminütige Pause nicht eingehalten wird, wird der Betrieb nicht wieder aufgenommen, obwohl der Kühlschalter auf ON steht und die entsprechende Kontrolllampe aufleuchtet.

Wir empfehlen unbedingt, alle obengenannten Punkte zu überprüfen, bevor Sie sich an eines unserer Kundendienstzentren wenden. Falls das Kundendienstzentrum keine Betriebsstörungen der Maschine feststellt, gehen die Kosten für deren Überprüfung zu Lasten des Kunden.

KAROTTEN-EIS

ZUTATEN: 250 g Zucker, 1,3 kg zarte Karotten, 1 Zitrone, 4 dl Schlagsahne

Die Karotten schaben und waschen, in eine Gemüseschleuder geben und entsaften. Den Saft in einen Topf geben, mit einem Deziliter Wasser verdünnen und auf niedriger Flamme erhitzen. Den Zucker und den Zitronensaft dazugeben.

5 Minuten sieden lassen ohne zum Kochen zu bringen, dann vom Herd nehmen und abkühlen lassen. Nun auch die Sahne unterheben, gut mischen und die Mischung zum Kühlen in den Kühlschrank stellen. Die Masse anschließend in die Eismaschine geben und ca. 30 Minuten eingeschaltet lassen.

TEE-EIS

ZUTATEN: 4 TL Tee, Saft von 3 Orangen, 1/2 Liter flüssige Sahne, 2 Eier, Zucker, 1/2 Glas Wasser

Das Wasser zum Kochen bringen, den Tee hineinstreuen und 3 Minuten ziehen lassen. Filtern, abkühlen lassen und in den Kühlschrank stellen. Den gut abgekühlten Teeextrakt zusammen mit der flüssigen Sahne, dem Orangensaft und den Eigelben energisch mit einem Mixer quirlen. Die gut vermischte Masse in die Eismaschine geben und 30 Minuten eingeschaltet lassen.

TORRONE-EIS

ZUTATEN: 30 g Zitronat, 40 g kandierter roter Kürbis, 30 g süße Mandeln, 20 g Pistazien, 250 g Zucker, 1 dl Milch, 4 Eigelbe, 1 Beutel Vanillezucker

Die Milch mit dem Streuzucker, dem Vanillinzucker und den Eigelben schaumig rühren. Die Pistazien, die Mandeln, das Zitronat und den gewürfelten Kürbis dazugeben. Das Ganze gut vermischen und in die Eismaschine geben. Ca. 30-40 Minuten eingeschaltet lassen.

DATTEL-EIS

ZUTATEN: 300 g Datteln, 200 g Milch, 150 g flüssige Sahne, 1 Löffel Gerstenmalz

Zunächst die Datteln entkernen und die Schalen, die sich am leichtesten lösen, entfernen. Dann in kleine Stückchen schneiden, den Gerstenmalz hinzufügen und mit der Milch und der Sahne verdünnen. Gut vermischen, in die Eismaschine geben und ca. 30 Minuten eingeschaltet lassen. Auf dieselbe Weise kann man auch Speiseeis mit getrockneten Aprikosen oder Pflaumen zubereiten.

REIS-ROSINEN-EIS

ZUTATEN: 150 g halbfertiger Reis, 50 g Rosinen, 1/2 l Milch, 2 Löffel Honig, 1 Vanilleschote, 1 Prise Salz, Saft und Schale einer Zitrone, Schale einer Orange

Den Reis zusammen mit den Rosinen und der Vanille in der Milch zum Kochen bringen, salzen, bei niedriger Flamme garen, bis die Milch ganz eingekocht ist. Die Vanille herausnehmen und abkühlen lassen. Die Zitronen- und die Orangenschale reiben und die Zitrone ausdrücken. In den abgekühlten Reis den Honig geben. Alle Zutaten mixen und dann in die Eismaschine einfüllen. Ca. 30 Minuten eingeschaltet lassen.

KASTANIEN-EIS

ZUTATEN: 250 g Kastanienfleisch, 250 g Milch, 100 g Sahne, 1 Ei, 2 Löffel Honig, eine Prise Salz

Um das Kastanienfleisch zu erhalten, die Kastanien von der äußeren Schale befreien, wiegen und dann für einige Minuten in kochendem Wasser blanchieren, damit sich die Haut leichter lösen lässt. Wenn Sie hingegen getrocknete Kastanien verwenden, müssen diese vorher über die Nacht in kaltem Wasser eingeweicht und dann blanchiert werden. Die Milch und die Sahne in einen Topf geben und zum Kochen bringen. Die Kastanien hinzufügen, etwas salzen und etwa eine Stunde langsam garen. Sobald die Kastanien gar sind, mit einem Kartoffelstampfer oder mit dem Pürierstab pürieren. Eventuell Milch hinzufügen, damit die Creme die richtige Konsistenz erhält. Nun auch den Honig dazugeben und gut umrühren oder für ein paar Augenblicke quirlen, um alles gut zu vermischen. Die gut abgekühlte Mischung in die Eismaschine geben und etwa 30 Minuten lang eingeschaltet lassen.

SPUMONE

Spumoni sind besonders leichte und "schaumige" Eissorten, zu deren Zutaten Schlagsahne oder Eischnee gehört. Spumoni lässt man traditionsgemäß in verschiedenen Förmchen oder zwischen zwei Keksen kalt werden.

SPUMONE MIT KARAMEL-NÜSSEN

ZUTATEN: 2/3 Tasse gehackte Walnüsse,
185 g Zucker, 1/2 l Milch, 3
Eigelb, 1 Tasse Schlagsahne,
1/2 Vanilleschote

Die Vanilleschote öffnen und zum Aromatisieren der Milch benutzen. Um eine glatte Creme zuzubereiten, die Eigelbe, die Milch, ein Drittel des Zuckers und eine Prise Salz im heißen Wasserbad zum Kochen bringen. Zuletzt die Vanilleschote wieder herausnehmen. Den restlichen Zucker getrennt karamellisieren lassen. Die Nüsse dazugeben und das Ganze in eine gefettete Form geben, in der man die Mischung abkühlen lässt. Sobald die Mischung kalt und fest geworden ist, wird sie zerbröckelt und mit dem Mixer gemahlen. Dann die Karamell-Streusel zu der zuvor zubereiteten Creme geben, mit einem Holzlöffel gut vermischen und dann vorsichtig die Schlagsahne unterheben. Die Mischung in die Eismaschine geben und ca. 30 Minuten eingeschaltet lassen.

SCHOKO-SPUMONE

ZUTATEN: 75 g Zartbitterschokolade, 185 g
Zucker, 4 Tassen Schlagsahne, 1
l Vanille, Salz

Bringen Sie die Schokolade in einer Dreiviertel Tasse kochendem Wasser zum Schmelzen und vermischen Sie sie mit der Sahne. Dann auch den Zucker, eine Prise Salz und die Vanille untermischen, die Mischung in die Eismaschine geben und ca. 30 Minuten eingeschaltet lassen.

KIRSCH-SPUMONE

ZUTATEN: 500 g entkernte eingemachte
Kirschen, 4 Eier, 300 g Zucker,
250 g Milch, 1 Vanilleschote

In einer Schüssel drei Eigelbe mit einem Drittel des Zuckers verrühren, bis eine weiche, cremige Mischung entsteht. In der Zwischenzeit die mit der Vanilleschote aromatisierte Milch erwärmen, die Vanilleschote dann herausnehmen. Die Milch langsam zu der Creme geben und gut mit den Eigelben und dem Zucker vermischen. Die Eiercreme im heißen Wasserbad erwärmen, bis sie eindickt, dann die Mischung unter ständigem Rühren in einem Behälter mit Eiswürfeln abkühlen lassen. Nun einen Sirup zubereiten, dazu den restlichen Zucker in 4-5 Löffel Wasser auflösen und zum Kochen bringen, dann vom Feuer nehmen.

Die Eiweiße zu einem steifen Schnee schlagen, den Zuckersirup nach und nach untermischen, energisch weiter rühren, bis eine weiche Masse entsteht, die mit der Eiercreme vermischt wird: vorsichtig von unten nach oben unterheben, damit die Masse nicht zusammenfällt. Die Kirschen abtropfen lassen und etwa die Hälfte klein hacken, dann mit der zuvor zubereiteten Masse vermischen. Vermischen und in der Eismaschine leicht eindicken lassen, dann in die gekühlte Eisschale geben und mindestens 4 Stunden in den Gefrierschrank stellen.

ERDBEER-SPUMONE

ZUTATEN: 500 g Erdbeeren, 370 g Zucker,
Zitrone, 1 Tasse flüssige Sahne,
Salz

Die Erdbeeren waschen, mit Zucker bestreuen und 2 Stunden lang ruhen lassen. Dann durch ein engmaschiges Sieb streichen und eine Prise Salz dazugeben. Die Sahne in den Gefrierschrank stellen, bis sie eine schaumige Konsistenz hat, dann nach und nach mit dem Erdbeersaft vermischen. Das Ganze in die Eismaschine geben und ca. 30 Minuten eingeschaltet lassen.

FEIGEN-SORBET

ZUTATEN: 500 g reife Feigen, 50 g Rohrzucker,
100 g Milch, Saft einer 1/2 Zitrone

Die Feigen schälen, dann mit dem Zucker, der Milch und dem Zitronensaft mixen. Das Ganze in die Eismaschine geben und eingeschaltet lassen, bis die gewünschte Konsistenz erreicht ist.

WASSERMELONEN-SORBET

ZUTATEN: 500 g Fruchtfleisch einer Wassermelone, 100 g Zucker, 100 g Wasser, 100 g flüssige Sahne, Zitronensaft

Das Fruchtfleisch der Wassermelone in kleine Stückchen schneiden; dabei alle Samen entfernen und den Saft auffangen, dann zusammen mit dem Zitronensaft mixen. Getrennt einen Sirup zubereiten, dazu den im Wasser und in ein paar Löffel Wassermelonensaft aufgelösten Zucker ein paar Minuten lange kochen lassen. Den Sirup abkühlen lassen. Die Sahne schlagen. Alle Zutaten miteinander vermischen: das Fruchtfleisch und den Sirup vorsichtig unter die Sahne heben, so dass die Sahne nicht zusammenfällt. Das Ganze in die Eismaschine geben und eingeschaltet lassen, bis die gewünschte Konsistenz erreicht ist.

HIMBEER-SORBET

ZUTATEN: 500 g reife Himbeeren, 100 g Zucker, 150 g Wasser, 1 Eiweiß, Zitronensaft

Die Himbeeren schnell und vorsichtig unter fließendem Wasser waschen. Abtropfen lassen und mit dem leicht gezuckerten Zitronensaft betrüpfeln. In der Zwischenzeit einen Sirup zubereiten; dazu das Wasser und den Zucker in einen Topf geben und ca. 10 Minuten kochen lassen. Abkühlen lassen und alle Zutaten mixen, dann in die Eismaschine geben.

KIWI-SORBET

ZUTATEN: 500 reife Kiwis, 50 g Zucker, Zitronensaft

Die Kiwis schälen und in Scheiben schneiden, dann ein paar Minuten lang mit dem Zucker und dem Zitronensaft im Mixer verquirlen. Die Mischung in die Eismaschine geben und eingeschaltet lassen, bis die gewünschte Konsistenz erreicht ist.

MANDARINEN-SORBET

ZUTATEN: 4 reife Mandarinen, 1 Orange, 150 g Zucker, 250 g Wasser, 200 g flüssige Sahne

Zunächst einen Sirup zubereiten: dazu das Wasser und den Zucker in einen Topf geben und ca. 10 Minuten kochen lassen. In den noch heißen Sirup die geriebene Orangenschale geben und abkühlen lassen. In der Zwischenzeit die Mandarinen und eine halbe Orange ausdrücken und den abgekühlten Sirup dazugeben. Gut vermischen und die geschlagene Sahne unterheben. Die Mischung in die Eismaschine geben und eingeschaltet lassen, bis die gewünschte Konsistenz erreicht ist.

AVVERTENZE IMPORTANTI

I

Durante l'utilizzo di apparecchi elettrici è necessario prestare molta attenzione ad alcune norme di sicurezza, in particolare:

1. Leggere attentamente le istruzioni per l'uso prima di installare e utilizzare l'apparecchio.
2. Non immergere il motore in acqua o in altri liquidi: **pericolo di scosse elettriche**.
3. Non consentire l'uso dell'apparecchio a persone (anche bambini) con ridotte capacità psico-fisico-sensoriali, o con esperienza e conoscenze insufficienti, a meno che non siano attentamente sorvegliate e istruite da un responsabile della loro incolumità. Sorvegliare i bambini, assicurandosi che non giochino con l'apparecchio.
4. Scollegare l'apparecchio dalla presa di corrente quando non è in funzione, prima di smontarlo e prima di pulirlo.
5. Non toccare parti in movimento. Per evitare rischi di infortuni o di danni all'apparecchio, non toccare con mani, capelli, abiti o con spatole o altri utensili quando l'apparecchio è in funzione. **NON UTILIZZARE OGGETTI O UTENSILI TAGLIANTI ALL'INTERNO DEL CESTELLO**. Graffierebbero o danneggerebbero l'interno del cestello. Una spatola di gomma o un cucchiaino di legno possono essere usati quando l'apparecchio è spento.
6. Il cavo di alimentazione di questo apparecchio non deve essere sostituito dall'utente, in quanto la sua sostituzione richiede l'impiego di utensili speciali. In caso di danneggiamento del cavo, rivolgersi esclusivamente ad un Centro di Assistenza autorizzato dal costruttore.
7. Non utilizzare apparecchi con il cavo di alimentazione o la spina danneggiati, o dopo un funzionamento anomalo dell'apparecchio stesso, o ancora dopo che l'apparecchio sia caduto o sia stato danneggiato in qualsiasi modo. In questi casi è consigliabile portare l'apparecchio ad il centro di Assistenza Autorizzato più vicino per le riparazioni.
8. L'uso di accessori non creati appositamente per quest'apparecchio, potrebbe essere causa di incendio o di scosse elettriche.
9. Non utilizzare all'esterno.
10. Non lasciare che il cavo di alimentazione sporga dal bordo del tavolo o dal piano di lavoro ed evitare che il cavo stesso entri in contatto con superfici calde.
11. Quest'apparecchio è stato creato per uso domestico. Qualsiasi operazione di manutenzione che esuli dalla normale pulizia deve essere eseguita dal Centro Assistenza Autorizzato dal costruttore.
12. L'apparecchio non deve MAI essere o coricato sul fianco o capovolto.
13. Utilizzare la macchina lontana da fonti di calore, mantenendola ad almeno 20 cm. da pareti od oggetti che potrebbero limitare la libera circolazione dell'aria.
14. Qualsiasi operazione di manutenzione che esuli dalla normale dalla normale pulizia deve essere eseguita dal Centro Assistenza Autorizzato dal costruttore.
15. L'apparecchio deve essere obbligatoriamente collegato ad un impianto con una presa di corrente con una portata minima di 5 A e minuti di efficiente contatto di messa a terra. Il costruttore non è responsabile di eventuali danni causati dalla mancanza di messa a terra nell'impianto. In caso di dubbio prendere contatto con personale qualificato.
16. I materiali e gli oggetti destinati al contatto con prodotti alimentari sono conformi alle prescrizioni al Regolamento CE 1935/2004. Inoltre questo apparecchio è conforme alle prescrizioni della Direttiva di Bassa Tensione 2006/95/CE e della Direttiva per la Compatibilità Elettromagnetica 2004/108/CE.
17. Questo apparecchio è in classe climatica "N", adatto per l'utilizzo fino a temperatura ambiente di 32°C.

CONSERVARE LE ISTRUZIONI PER L'USO

DESCRIZIONE

- A Motore pala di mescolamento
- B Interruttore ON/OFF
- C Pulsante di sgancio coperchio
- D Pala mantecatrice brevettata
- E Corpo principale della macchina
- F Cestello estraibile
- G Misurino
- H Paletta

- I Presa per cavo motore pala
- L Cavo di alimentazione
- M Pulsante di apertura coperchio
- N Spia
- O Interruttore di raffreddamento
- P Coperchio
- Q Apertura coperchio

FUNZIONAMENTO

1. Collegare la spina della macchina ad una presa di corrente,
2. Accendere l'interruttore di raffreddamento almeno 5 minuti prima di versare gli ingredienti,
3. Posizionare il coperchio completo di corpo motore azionamento pala mantecatrice e agganciarlo alla base,
4. Accendere l'interruttore ON/OFF
5. Versare gli ingredienti.

Il gelato sarà pronto in un tempo variabile tra 20 e 40 minuti.

Il tempo necessario per ottenere il gelato dipende dalla natura, dalla temperatura e dalla quantità degli ingredienti usati oltre che dalla temperatura ambiente.

IL PRIMO UTILIZZO

IMPORTANTE: lasciare la macchina su una superficie piana in posizione orizzontale almeno 12 ore prima di utilizzarla per la prima volta.

- Seguire la medesima procedura anche successivamente, ogniqualvolta la macchina, per qualsiasi motivo, sia stata posta in posizione non orizzontale.
- Prima dell'utilizzo lavare accuratamente tutte le parti che vengono a contatto con il gelato, quali cestello fisso, cestello estraibile, pala e coperchio trasparente.

PREPARAZIONE DELLA MISCELA

- Scegliere una ricetta e preparare gli ingredienti opportunamente amalgamati. Fare attenzione a:
- Utilizzare frutta e ingredienti già privati degli scarti.
- Utilizzare gli ingredienti a temperatura di frigorifero per ridurre il tempo di preparazione del gelato.
- Non superare la quantità totale di 800 gr di miscela al fine di consentire un corretto aumento di volume.

LA PREPARAZIONE DEL GELATO

1. Posizionare l'apparecchio vicino ad una presa di corrente su una superficie piana e stabile.
2. Sistemare la macchina in modo tale che vi sia sufficiente spazio attorno, per non ostruire le griglie di ventilazione che sono poste sui lati.
3. Controllare che il voltaggio indicato sulla targhetta dati corrisponda a quello di rete.
4. Collegare la spina alla presa di corrente.
5. Accendere l'interruttore di raffreddamento (O) situato sul corpo della macchina. La spia (N) si illuminerà a segnalare che l'impianto di raffreddamento è in funzione. Attendere 5 minuti prima di versare gli ingredienti.

6. Nel frattempo agganciare il corpo motore al coperchio e inserire la pala mantecatrice (fig.1). Chiudere l'apparecchio appoggiando la parte assemblata (corpo motore, coperchio e pala mantecatrice) al corpo della macchina, quindi ruotare in senso orario fino ad agganciarlo (fig.2).
7. Inserire la spina del corpo motore pala di mescolamento nella presa (I) posta sul corpo della macchina.
8. Trascorsi i 5 minuti azionare il motore di mescolamento premendo l'interruttore ON/OFF (B) quindi versare gli ingredienti tramite l'apertura nel coperchio.
9. Non riempire il cestello più della metà; durante la lavorazione il preparato aumenterà di volume.
10. Usare preferibilmente ingredienti a temperatura di frigorifero, MAI ingredienti caldi.
11. Durante la preparazione, si può aggiungere attraverso l'apertura del coperchio cioccolato in scaglie, uvetta ed altri ingredienti. Gli alcolici vanno aggiunti solo verso la fine della preparazione perché rallentano notevolmente il raffreddamento. Il gelato aumenterà di volume fino a riempire il cestello negli ultimi minuti della preparazione.
12. Il tempo di preparazione può variare da 20 a 40 minuti in funzione della ricetta scelta, della quantità e della temperatura degli ingredienti utilizzati.

ATTENZIONE: evitare di spegnere l'interruttore di raffreddamento (O) prima di aver ultimato la preparazione del gelato. Se ciò dovesse succedere, o se per qualsiasi ragione si verificasse un'interruzione di corrente, lo speciale dispositivo di cui è provvisto il compressore non permetterà il proseguimento del raffreddamento per circa 5 minuti, compromettendo la buona riuscita del gelato.

13. Quando il gelato raggiunge una buona consistenza la pala inverte il senso di rotazione segnalando che il gelato è pronto. Questo movimento non provoca alcun danno al motore né alla pala, è comunque buona norma arrestare la pala.
14. Se si desidera un gelato maggiormente consistente lasciare acceso l'interruttore di raffreddamento (O) per altri 5-10 minuti.

ATTENZIONE: ricordarsi di spegnere l'interruttore di raffreddamento altrimenti il gelato si trasformerà in un blocco di ghiaccio.

15. Spegnere l'interruttore ON/OFF (B), disinserire la spina, togliere motore e coperchio trasparente ruotando in senso antiorario. Per agevolare l'estrazione del gelato togliere anche la pala (D).
16. Rimuovere il gelato dal cestello utilizzando l'apposita paletta (H) in dotazione, oppure, in alternativa, un cucchiaino di plastica o di legno, per evitare di danneggiare le pareti e il fondo del cestello.
17. Dopo qualche minuto dall'estrazione del gelato, quando il cestello non è più troppo freddo, ripulirlo dai residui di gelato con un panno umido o con carta da cucina, infine asciugarlo accuratamente.

UTILIZZO DEL CESTELLO ESTRAIBILE

Per utilizzare il cestello estraibile, procedere come segue.

Versare nel cestello fisso un misuro di alcool o di qualsiasi superalcolico (grappa, brandy); un misurino è pari a 25 ml. In alternativa si può utilizzare una soluzione di acqua e sale (5 gr di sale diluiti in 20 ml di acqua). Inserire quindi il cestello estraibile (F) nel cestello fisso inserendolo completamente.

È molto importante effettuare correttamente questa operazione al fine di consentire una corretta trasmissione di freddo dal cestello fisso a quello estraibile e quindi la buona riuscita del gelato.

Agganciare il corpo motore al coperchio e inserire la pala mantecatrice (fig.1).

Chiudere l'apparecchio appoggiando la parte assemblata (corpo motore, coperchio e pala mantecatrice) al corpo della macchina, facendo attenzione a far coincidere l'alloggiamento ricavato nel coperchio trasparente con l'aggancio del manico del cestello estraibile (fig.3) quindi ruotare in senso orario fino ad agganciarlo.

Accendere l'interruttore di raffreddamento (O), attendere circa 5 minuti e procedere alla preparazione del gelato come nel caso di utilizzo del cestello fisso.

Quando il gelato è pronto, rimuovere il coperchio ed estrarre il cestello. Quindi pulire ed asciugare il cestello fisso dalla soluzione salina o dall'alcool.

LA CONSERVAZIONE DEL GELATO

Nella gelatiera

Quando il gelato è pronto, potete conservarlo coperto nella gelatiera stessa ca. 10-20 minuti a motore spento. Prima di servirlo rilavorarlo per qualche minuto affinché riacquisti la giusta consistenza e mantecazione.

In freezer

È possibile conservare (limitatamente) il gelato nel freezer, Una lunga permanenza nel freezer, comunque, non favorisce di certo il gusto e la qualità del gelato. Dopo 1-2 settimane la struttura del gelato diminuisce e il gusto fresco va perso. il gelato fresco ha un sapore migliore.

Nel caso voleste comunque conservare il gelato in freezer, osservate le seguenti regole:

Conservate il gelato in un contenitore da freezer molto pulito e ben chiuso.

La temperatura di conservazione deve essere minimo -18°C.

Indicate sul contenitore la data della preparazione e il tipo di gelato.

ATTENZIONE

Il gelato è sensibile ai batteri. Di conseguenza è importante che la gelatiera e gli utensili siano molto puliti e asciutti.

Non ricongelate mai del gelato scongelato o semi congelato.

Togliete il gelato dal freezer ca. mezz'ora prima di servirlo e metterlo in frigorifero. Eventualmente potete lasciarlo per 10/15 minuti a temperatura ambiente per ottenere la temperatura adatta per la consumazione.

PERIODO DI CONSERVAZIONE

Gelato a base di ingredienti non cotti: ± 1 settimana

Sorbetti: 1-2 settimane

Gelato a base di ingredienti semi cotti: ± 2 settimane

LA PULIZIA DELL'APPARECCHIO

L'igiene è la cosa più importante da osservare quando si fa il gelato.

Prima di pulire la gelatiera controllare di aver tolto la spina dalla presa di corrente.

Per sganciare il coperchio dal motore di mantecazione agire sul pulsante (C) di sgancio coperchio situato sotto il corpo motore (fig.4).

Il cestello di refrigerazione, la pala mantecatrice ed il coperchio possono essere lavati in acqua tiepida con detersivo.

Il cestello fisso deve essere lavato versando dell'acqua al suo interno e aiutandosi con una spugna. Risciacquare poi con acqua e asciugare con un panno.

Non immergere la parte motore in acqua, non risciacquarla mai sotto il rubinetto.

Non lavare alcuna parte in lavastoviglie.

Il corpo principale della macchina ed il motore pala può essere pulito con un panno umido.

ATTENZIONE: Quando si utilizza il cestello estraibile in alluminio, è di estrema importanza pulire accuratamente tutte le parti che vengono a contatto con la parte salina, per evitare fenomeni di corrosione.

CONSIGLI UTILI

- Alcune ricette prevedono la cottura. Preparatele almeno un giorno prima perché si raffreddino completamente e crescano. È comunque sempre consigliabile raffreddare il preparato di base.
- Con i preparati a freddo si hanno risultati migliori sbattendo le uova e lo zucchero con uno sbattitore elettrico. Questo contribuirà a rendere il preparato più voluminoso.
- La maggior parte dei preparati sono il risultato di panna, latte, uova e zucchero. Potete utilizzare la panna che volete, ma il sapore e la consistenza cambieranno molto a seconda della qualità della panna scelta. Più alta è la percentuale di grassi contenuta nella panna, più ricco sarà il gelato. Per esempio: la panna intera ha il 36% di grassi minimo, la panna montata il 30%, la panna per caffè o la panna scremata il 18% e metà panna + metà latte il 10%. In ogni caso, l'importante è di mantenere sempre la stessa quantità di liquido. Per esempio, il gelato più leggero può essere fatto utilizzando più latte che panna, o eliminando del tutto la panna. Si può utilizzare anche latte scremato, ma ci sarà una notevole differenza nella consistenza del gelato.
- Il preparato per il gelato può rimanere in frigorifero per diversi giorni. Scuoterlo bene prima di versarlo nel cestello.
- Versare nel cestello il preparato fino a riempirlo solo a metà; il preparato aumenterà di volume durante la lavorazione.
- Gli alcolici rallentano il processo di refrigerazione. È consigliabile quindi aggiungere il liquore negli ultimi minuti di lavorazione.
- Il gusto dei sorbetti dipenderà molto dal grado di maturazione e dalla dolcezza della frutta e del succo utilizzato. Assaggiare la frutta prima di aggiungere alla ricetta. Se è troppo aspra, aggiungere zucchero; se è molto matura, mettere meno o non mettere del tutto lo zucchero. Ricordate comunque che il freddo diminuisce il grado di dolcezza.
- Possono essere utilizzati anche dolcificanti al posto di zucchero. In questo caso, aggiungete il dolcificante al preparato e mescolate finché è ben sciolto.
- I preparati che sono stati riscaldati devono essere versati nel cestello solo quando si sono perfettamente raffreddati.
- Se si desidera rendere più dolce la ricetta durante la preparazione, non aggiungere direttamente zucchero all'interno del cestello (non si scioglie). È consigliabile, invece, sciogliere lo zucchero in un po' di acqua o di latte scremato e poi versare lo sciroppo ottenuto (raffreddato) nel cestello.
- La frutta utilizzata per le ricette deve essere sempre lavata ed asciugata prima dell'uso; inoltre, anche se non è specificato, la frutta dev'essere pelata, sgusciata, snocciolata, ecc.
- Se si desidera diminuire le quantità di gelato, si possono frazionare o dimezzare le dosi indicate.

- Quando si utilizzano uova crude, verificare che siano fresche rompendone una alla volta in un recipiente e controllando che:
 1. non abbiano cattivo odore;
 2. l'albume non sia acquoso ma denso e che aderisca al tuorlo;
 3. il tuorlo sia tondo e rigonfio.

CHE COSA POTREBBE NON FUNZIONARE?

In condizioni normali la preparazione del gelato non richiede più di 40 minuti.

Nel caso in cui dopo 40 minuti il gelato ancora non sia formato, verificare tutti i punti che seguono prima di richiedere l'intervento di un centro assistenza autorizzato:

- Gli ingredienti devono essere versati nella gelatiera a temperatura ambiente o meglio a temperatura di frigorifero. Se gli ingredienti sono caldi la preparazione del gelato è impossibile.
- Il cestello non deve essere riempito per più della metà della sua capacità (quantità massima di ingredienti 800 gr.). Se la quantità di ingredienti è eccessiva, il tempo richiesto per la formazione del gelato aumenta notevolmente e il risultato potrebbe non essere soddisfacente.
- A causa della presenza di un dispositivo di sicurezza sul compressore, se si verifica un'interruzione di corrente o se la macchina per qualsiasi motivo viene spenta e repentinamente riaccesa il funzionamento del dispositivo raffreddamento si interrompe. In questi casi è necessario lasciare riposare il dispositivo per 5 minuti prima di riaccenderlo. Se la pausa di 5 minuti non viene rispettata, il funzionamento non riprende nonostante il pulsante di raffreddamento sia in posizione ON e la relativa spia sia accesa.

Si raccomanda vivamente di verificare tutti i punti di cui sopra prima di richiedere l'intervento di un centro assistenza autorizzato. Qualora il centro di assistenza non riscontrasse anomalie nel funzionamento della macchina, le spese derivanti da questa verifica saranno a carico dell'utente.

GELATO DI CAROTE

INGREDIENTI: 250gr. di zucchero, 1,3 kg di carote tenere, 1 limone, 4 dl di panna da montare

Raschiate e lavate le carote, mettetele in una centrifuga ed estraetene il succo. Trasferitelo in una casseruola, diluitelo con un decilitro d'acqua e ponete su fuoco basso unendo lo zucchero e il succo di limone. Fate cuocere per 5 minuti, evitando che il composto prenda il bollore poi toglietelo dal fuoco e lasciate intiepidire. Incorporate a questo punto anche la panna mescolate bene e mettetelo poi il composto in frigorifero perché si raffreddi. Versate quindi la miscela nella gelatiera e fate funzionare per circa 30 min.

GELATO AL TÈ

INGREDIENTI: 4 cucchiaini di tè, il succo di 3 arance, 1/2 litro di panna liquida, 2 uova, zucchero, 1/2 bicchiere di acqua

Portare l'acqua a ebollizione, versatela sopra il tè e lasciate in infusione per 3 minuti. Filtrate, lasciate raffreddare e mettetelo in frigorifero. Lavorate energicamente con un frullatore l'estratto di tè ben freddo insieme con la panna liquida, il succo d'arancia e i tuorli d'uovo. Quando il composto sarà ben amalgamato versalo nella gelatiera, facendola funzionare per circa 30 minuti.

GELATO AL TORRONE

INGREDIENTI: 30gr. di cedro candito, 40gr. di zucca rossa candita, 30gr. di mandorle dolci, 20gr. di pistacchi, 250gr. di zucchero, 1dl di latte, 4 tuorli d'uovo, 1 bustina di zucchero vanigliato

Preparate una crema con il latte, lo zucchero semolato e quello vanigliato, i tuorli d'uovo. Quando il composto sarà spumoso, aggiungete i pistacchi, le mandorle, il cedro e la zucca a pezzettini. Amalgamate bene il tutto e versate nella gelatiera facendola funzionare per 30-40 minuti circa.

GELATO DI DATTERI

INGREDIENTI: 200gr. di datteri, 200gr. di latte, 150gr. di panna liquida, 1 cucchiaino di malto d'orzo

Snocciate anzitutto i datteri e privateli delle bucce che si staccano più facilmente. Tritateli finemente, aggiungete il malto d'orzo e diluite con il latte e la panna. Amalgamate bene, quindi versate nella gelatiera, facendola funzionare per 30 minuti circa.

Questo procedimento è adatto anche per preparare un gelato a base di albicocche o di prugne secche.

GELATO DI RISO E UVA PASSA

INGREDIENTI: 150gr. di riso semilavorato, 50 gr. di uva passa, 1/2 l di latte, 2 cucchiaini di miele, 1 stecca di vaniglia, 1 pizzico di sale, il succo e la scorza di un limone, la scorza d'arancia.

Cuocete il riso nel latte assieme all'uva passa e alla vaniglia. Portare a ebollizione, salate, mantenete una fiamma piuttosto bassa e fate cuocere sino a quando il latte sia del tutto assorbito. Togliete la vaniglia e lasciate raffreddare. Grattugiate la scorza del limone e dell'arancia e spremete il limone. Aggiungete al riso raffreddato il miele. Frullate tutti gli ingredienti e versate quindi nella gelatiera lasciandola funzionare per circa 30 minuti.

GELATO DI CASTAGNE

INGREDIENTI: 250gr. di polpa di castagne, 250gr. di latte, 100gr. di panna, 1 uovo, 2 cucchiaini di miele, un pizzico di sale

Per ricavarne la polpa, togliete alle castagne la scorza esterna, pesatele e quindi scottatele in acqua bollente per alcuni minuti, per togliere la pellicina con maggiore facilità. Se invece usate le castagne secche, lasciatele precedentemente in ammollo in acqua fredda per una notte intera in modo da ammorbidirle quindi scolatele. Versate il latte e la panna in una casseruola, portate a ebollizione, aggiungete le castagne, salate leggermente e lasciate cuocere lentamente per un'ora circa. Quando le castagne sono ben cotte, riducetele in crema usando uno schiacciapastate o un passaverdura, aggiungendo eventualmente del latte per dare la giusta consistenza. A questo punto unite anche il miele e mescolate energicamente, o frullate per pochi istanti per omogeneizzare il tutto. Quando il composto è ben raffreddato, versate nella gelatiera e fatela funzionare per 30 minuti circa.

Gli spumoni sono dei gelati particolarmente leggeri e "spumosi", che integrano panna montata o albumi a neve agli ingredienti utilizzati. Gli spumoni possono essere posti a raffreddare in stampi di forme diverse o fra due biscotti, come suggerito dalla più classica tradizione.

SPUMONE DI NOCI CARAMELLATE

INGREDIENTI: 2/3 di tazza di noci tritate, 185gr. di zucchero, 1/2l di latte, 3 turli d'uovo, 1 tazza di panna montata, 1/2 stecca di vaniglia.

Aprire la vaniglia e usatela per aromatizzare il latte. Preparate una crema morbida e liscia facendo bollire a bagnomaria i tuorli, il latte, un terzo dello zucchero e un pizzico di sale; togliete alla fine la stecca di vaniglia. A parte, fate caramellare il resto dello zucchero, unitevi le noci e poi versate tutto su una teglia imburata, dove lascerete raffreddare pazientemente il composto. Una volta freddo e ben solidificato, spezzatelo e macinatelo con il frullatore. Unite la rottura di caramello alla crema preparata in precedenza, mescolate bene con un cucchiaino di legno e poi incorporate con delicatezza la panna montata. Versate il composto nella gelatiera e azionatela per 30 minuti circa.

SPUMONE DI CIOCCOLATO

INGREDIENTI: 75gr di cioccolato fondente, 185gr. di zucchero, 4 tazze di panna montata, 1 cucchiaino di vaniglia, sale.

Stemperate il cioccolato in tre quarti di tazza d'acqua bollente e unitelo alla panna. Amalgamate con cura anche lo zucchero, un pizzico di sale e la vaniglia e versate il composto nella gelatiera, facendola funzionare per 30 minuti circa.

SPUMONE DI CILIEGE

INGREDIENTI: 500gr. di ciliege sciroppate snocciolate, 4 uova, 300gr. di zucchero, 250 gr. di latte, 1 stecca di vaniglia.

In una terrina lavorate tre tuorli d'uovo con un terzo dello zucchero fino a ottenere un composto soffice e cremoso. Nel frattempo scaldiate il latte aromatizzandolo con la stecca di vaniglia (che poi toglierete) e versatelo poco alla volta amalgamandolo ai tuorli con lo zucchero. Fate cuocere il composto di uova a bagnomaria finché non si addenserà quindi, senza smettere di mescolare, passate il composto in un contenitore con del ghiaccio e fate raffreddare. Preparate poi uno sciroppo facendo sciogliere lo zucchero rimasto con 4-5 cucchiaini d'acqua e portate a ebollizione, togliendo poi dal fuoco. Montate a neve soda gli albumi, quindi incorporatevi a filo lo sciroppo di zucchero, continuando a mescolare energicamente fino a ottenere un composto soffice che unirete alla crema di uova, rimescolando con delicatezza dal basso verso alto in modo che non smonti. Sgocciolate a questo punto le ciliege dallo sciroppo di conservazione e tritatene circa la metà unendole poi al composto preparato. Mescolate e fate leggermente addensare nella gelatiera, poi versate il nella vaschetta da ghiaccio raffreddata ponendola nel freezer per almeno 4 ore.

SPUMONE DI FRAGOLE

INGREDIENTI: 500gr. di fragole, 370gr. di zucchero limone, 1 tazza di panna liquida, sale.

Lavate le fragole, cospargetele di zucchero e lasciatele riposare per 2 ore. Passatele poi attraverso un setaccio a maglie fini e aggiungete una presa di sale. Mettete in freezer la panna fino a ottenere la densità di una spuma, poi incorporate un po' alla volta il succo di fragola. Versate il tutto nella gelatiera e fatela funzionare per 30 minuti circa.

SORBETTO DI FICHI

INGREDIENTI: 500gr. di fichi maturi, 50gr. di zucchero di canna, 100gr. di latte, il succo di 1/2 limone

Private i fichi della buccia. Frullate i fichi con lo zucchero, il latte e il succo di limone. Versate il tutto nella gelatiera e fate funzionare fino alla consistenza desiderata.

SORBETTO DI ANGIURIA

INGREDIENTI: 500gr. di polpa d'anguria, 100 gr. di zucchero, 100gr. di acqua, 100gr. di panna liquida, succo di limone

Tagliate a pezzetti la polpa d'anguria eliminando tutti i semi e cercando di raccogliere il succo, quindi frullatela assieme al succo di limone. A parte preparate lo sciroppo facendo bollire per qualche minuto lo zucchero sciolto nell'acqua e in qualche cucchiaino di succo d'anguria. Lasciate raffreddare lo sciroppo. Montate la panna. Mescolate tutti gli ingredienti incorporando la frutta e lo sciroppo alla panna, facendo attenzione a non farla smontare. Versate il tutto nella gelatiera e fatela funzionare fino a ottenere la consistenza voluta.

SORBETTO DI LAMPONI

INGREDIENTI: 500gr. di lamponi maturi, 100gr. di zucchero, 150gr. di acqua, 1 albume, succo di limone

Lavate rapidamente e delicatamente i lamponi sotto un getto leggero di acqua corrente. Sgocciolateli e copriteli con il succo di limone addolcito con un po' di zucchero. Nel frattempo preparate lo sciroppo facendo bollire in una casseruola l'acqua e lo zucchero per circa 10 minuti. Lasciate raffreddare e frullare quindi tutti gli ingredienti prima di versarli nella gelatiera.

SORBETTO DI KIWÌ

INGREDIENTI: 500gr. di kiwi maturi, 50gr. di zucchero, il succo di limone

Sbucciate e tagliate a fette i kiwi. Frullate per alcuni minuti i kiwi con lo zucchero e il succo di limone. Versate nella gelatiera e fate funzionare fino a consistenza voluta.

SORBETTO DI MANDARINO

INGREDIENTI: 4 mandarini maturi, 1 arancia, 150gr. di zucchero, 250gr. d'acqua, 200gr. di panna liquida.

Preparare anzitutto lo sciroppo facendo bollire in una casseruola l'acqua e lo zucchero per circa 10 minuti. Quando è ancora caldo unitevi la scorza grattugiata dell'arancia e lasciate raffreddare.

Nel frattempo spremete i mandarini e mezza arancia e aggiungete il succo allo sciroppo raffreddato. Mescolando con cura incorporate la panna montata e versate il composto nella gelatiera facendola funzionare fino a ottenere la consistenza voluta.

BELANGRIJKE AANWIJZINGEN

Bij het gebruik van elektrische apparaten is het nodig enkele veiligheidsnormen in acht te nemen, in het bijzonder:

1. Aandachtig de gebruiksaanwijzing doorlezen alvorens het apparaat te installeren en in gebruik te nemen.
2. Het motoregedeelte niet in water of in andere vloeistoffen dompelen: **gevaar voor elektrische schokken**.
3. Dit apparaat is niet bedoeld voor gebruik door personen (inclusief kinderen) met verminderde lichamelijke, zintuiglijke of geestelijke vermogens of gebrek aan ervaring en kennis, tenzij ze toezicht of instructies over het gebruik van het apparaat hebben gekregen van de persoon die verantwoordelijk is voor hun veiligheid. Op kinderen moet toezicht gehouden worden om er zeker van te zijn dat ze niet met het apparaat spelen.
4. De stekker uit het stopcontact nemen als het apparaat niet gebruikt wordt, voordat u het apparaat uit elkaar haalt en om het apparaat schoon te maken.
5. Geen bewegende delen aanraken. Om het risico van ongelukken of beschadigingen aan het apparaat te voorkomen, het apparaat niet aanraken met handen, haren, kleding of met spatels of andere gebruiksvoorwerpen als het apparaat aanstaat. **GEEN SCHERPE GEBRUIKSVOORWERPEN GEBRUIKEN AAN DE BINNENKANT VAN DE KOELINGSBEKER**. Dit zou de binnenkant van de beker kunnen beschadigen of krassen kunnen veroorzaken. Een rubberen spatel of een houten lepel kunnen gebruikt worden als het apparaat afstaat.
6. Het snoer van het apparaat moet niet door de gebruiker zelf vervangen worden, omdat daar speciaal gereedschap voor nodig is. Als het snoer beschadigd is of vervangen moet worden, moet men zich uitsluitend tot een door de fabrikant bevoegde Klantendienst wenden.
7. Geen apparaten gebruiken met beschadigde snoeren of stekkers, of nadat het apparaat abnormaal gefunctioneerd heeft, of nadat het apparaat gevallen is of op een of andere manier beschadigd is. In dergelijke gevallen is het raadzaam het apparaat naar het dichtstbijzijnde geautoriseerde Assistentie Centrum te brengen voor reparatie.
8. Het gebruik van accessoires die niet speciaal voor dit apparaat gemaakt zijn, kan brand veroorzaken of elektrische schokken.
9. Niet buitenshuis gebruiken.
10. Laat het elektriciteits snoer niet over de tafel of het werkvlak hangen en vermijd dat het snoer in contact komt met warme oppervlakten.
11. Dit apparaat is ontworpen voor huishoudelijk gebruik. Iedere onderhoudshandeling die afwijkt van het normale schoonmaken, dient door een door de fabrikant geautoriseerd Assistentie Centrum te geschieden.
12. Het apparaat **NOOIT** op de zijkant of omgekeerd zetten.
13. Het apparaat gebruiken ver van warmtebronnen en op een afstand van minstens 20 cm van muren en voorwerpen die de vrije luchtcirculatie kunnen hinderen.
14. Elke buitengewone onderhoudsbeurt dient te worden uitgevoerd door een Service Centrum erkend door de constructeur.
15. Het apparaat dient te worden aangesloten op een stopcontact met een minimumvermogen van 5A en voorzien van een doeltreffende aardleiding. De constructeur is niet verantwoordelijk voor eventuele schade voortvloeiend uit het gebrek aan een aardleiding. Ingeval van twijfel, contact opnemen met vakbekwaam personeel.
16. Het materiaal en het Artikel dat voor gebruik in contact met levensmiddelen worden zijn voorgenomen in overeenstemming met de EC Verordening 1935/2004. Dit apparaat beantwoordt aan de voorschriften van de Laagspanningsrichtlijn 2006/95/CE en de Richtlijn met betrekking tot de elektromagnetische Verenigbaarheid 2004/108/CE.
17. Dit apparaat is geschikt voor gebruik met 32 ° C Max. omgevingstemperatuur (klimaatklasse "N").

DE GEBRUIKSAANWIJZING GOED BEWAREN

BESCHRIJVING

- A Motor mengschoep
- B Knop AAN/UIT
- C Drukknop loshaken deksel
- D Deksel
- E Lichaam van de machine
- F Uitneembare beker
- G Maatlepel
- H Spatel

- I Stopcontact motor mengschoep
- L Elektriciteits snoer
- M Drukknop openen deksel
- N Controlelampje
- O Koelingsknop
- P Deksel
- Q Opening deksel

WERKING

1. Steek de stekker van het apparaat in een stopcontact,
2. Druk op de koelingsknop minstens 5 minuten vooraleer u de ingrediënten in de beker doet.
3. Plaats het deksel met het motorgedeelte van de mengschoep en haak hem vast aan de basis,
4. Druk op de AAN/UIT-knop
5. Giet de ingrediënten in de beker.

De bereidingstijd bedraagt 20 tot 40 minuten.

De tijd nodig om ijs te bekomen hangt af van de aard, de temperatuur en de hoeveelheid ingrediënten die men gebruikt, en van de temperatuur van de omgeving.

HET EERSTE GEBRUIK

BELANGRIJK: zet het apparaat op een horizontaal werkvlak, minstens 12 uur vóór het eerste gebruik.

- Ga op dezelfde manier te werk, telkens wanneer het apparaat om een of andere reden niet in een horizontale positie stond.
- Vóór de ingebruikname van het apparaat, alle onderdelen die in contact komen met het ijs, zoals de vaste beker, de uitneembare beker, de mengschoep en het doorschijnend deksel zorgvuldig afwassen.

HET MENGSEL BEREIDEN

Kies een recept en meng de nodige ingrediënten. Let op het volgende:

- Gebruik reeds schoongemaakt fruit en ingrediënten.
- Gebruik bij voorkeur ingrediënten op koelkasttemperatuur, om de bereidingstijd van het ijs te verkorten.
- Bereid niet meer dan 800 gr mengsel, om borg te staan voor een correcte toename van het volume.

HET IJS BEREIDEN

1. Zet het apparaat vlakbij een stopcontact, op een effen en stabiel werkvlak.
2. Zorg dat er voldoende ruimte wordt vrijgelaten rondom het apparaat, om de ventilatieroosters op de zijkanten niet te verstoppem.
3. Controleer of de spanning aangegeven op het gegevensplaatje overeenkomt met de netspanning.
4. Steek de stekker in het stopcontact.
5. Druk op de koelingsknop (O) op het apparaat zelf. Het controlelampje (N) brandt en duidt aan dat het koelsysteem in werking is. Wacht 5 minuten voor u de ingrediënten in de beker doet.

6. Inmiddels haakt u het motorgedeelte vast aan het deksel en brengt u de mengschoep aan (fig. 1). Sluit het apparaat door het geassembleerde deel (motorgedeelte, deksel en mengschoep) op het apparaat te plaatsen en in wijzerzin te draaien tot het vast klikt (fig. 2).
7. Steek de stekker van het motorgedeelte van de mengschoep in de contactdoos (I) op het apparaat zelf.
8. Wanneer de 5 minuten voorbij zijn, schakelt u de motor van de mengschoep in met de knop AAN/UIT (B) en giet u de ingrediënten door de opening in het deksel.
9. Vul de beker tot niet meer dan helft, tijdens de bereiding, neemt het volume van het mengsel toe.
10. Gebruik bij voorkeur ingrediënten op koelkasttemperatuur, en NOOIT warme ingrediënten.
11. Tijdens de bereiding, kunnen door de opening in het deksel schilfers chocolade, krenten en andere ingrediënten toegevoegd worden. Alcohol dient slechts aan het einde van de bereidingstijd toegevoegd te worden, omdat het koelingsproces hierdoor sterk vertraagd wordt. Tijdens de laatste minuten van de bereiding, zal het ijs in volume toenemen en de beker helemaal vullen.
12. De bereidingstijd kan variëren van 20 tot 40 minuten, in functie van het gekozen recept, de kwantiteit en de temperatuur van de gebruikte ingrediënten.

LET OP: *druk niet op de koelingsknop (O) vóór het einde van de bereiding. Mocht dit toch gebeuren, of indien om een of andere reden de stroom mocht uitvallen, onderbreekt de speciale inrichting waarmee de compressor is uitgerust de afkoeling gedurende circa 5 minuten, wat de geslaagde bereiding van het ijs in het gedrang brengt.*

13. Wanneer het ijs een goede consistentie heeft bereikt, wordt de draairichting van de mengschoep omgedraaid, wat betekent dat het ijs klaar is. Deze beweging brengt geen enkele schade toe aan de schoep. Het is evenwel aangewezen de schoep tot stilstand te brengen.
14. Indien u een consistentere ijs wenst, kunt u de koelingsknop (O) nog 5-10 minuten ingedrukt laten.

LET OP: *vergeet niet de koelingsknop af te zetten, om te voorkomen dat het ijs in een ijsblok verandert.*

15. Druk op de knop AAN/UIT (B), trek de stekker uit het stopcontact en verwijder motor en doorschijnend deksel door deze in tegenwijzerzin te draaien. Om het ijs makkelijker uit de beker te halen, neemt u ook de mengschoep (D) weg.
16. Haal het ijs uit de beker met behulp van de meegeleverde spatel (H), of met een plastic of houten lepel, om de wanden en de bodem van de beker niet te beschadigen.
17. Na enkele minuten, wanneer de beker minder koud is, kunt u ijsrestjes verwijderen met een vochtige doek of keukenpapier. Droog vervolgens grondig af.

HET GEBRUIK VAN DE UITNEEMBARE BEKER

Voor het gebruik van de uitneembare beker, als volgt te werk gaan:

Giet een maatlepel alcohol of een andere alcoholische drank (grappa, brandy) in de vaste beker; een maatlepel is gelijk aan 25 ml. Als alternatief kunt u ook een oplossing van water en zout gebruiken (5 gram zout opgelost in 20 ml water). Breng de uitneembare beker (F) vervolgens volledig aan in de vaste beker.

Het is heel belangrijk deze handeling correct uit te voeren, om borg te staan voor een goede overdracht van de koude van de vaste beker naar de uitneembare beker, en bijgevolg een geslaagd ijs.

Haak het motorgedeelte vast aan het deksel en breng de mengschoep aan (fig. 1).

Sluit het apparaat door het geassembleerde deel (motorgedeelte, deksel en mengschoep) op het apparaat zelf te plaatsen. Let er hierbij op dat de uitsparing in het doorschijnend deksel overeenkomt met de haak van het handvat van de uitneembare mand (fig. 3). Draai in wijzerzin om vast te haken.

Druk op de koelingsknop (O), wacht circa 5 minuten en ga over tot de bereiding van het ijs, zoals bij het gebruik van een vaste beker.

Wanneer het ijs klaar is, het deksel verwijderen en de beker uitnemen. Verwijder restjes zout en alcohol uit de beker en droog hem af.

HET IJS BEWAREN

In de ijsmachine

Wanneer het ijs klaar is, kunt u het gedurende ca. 10-20 minuten bewaren in de ijsmachine met de motor af. Voor het opdienen bewerkt u het ijs nog enkele minuten om de juiste consistentie en menging te bekomen.

In het diepvriesvak

Het ijs kan (korte tijd) in het diepvriesvak bewaard worden. Het ijs voor langere tijd bewaren in het diepvriesvak komt de smaak en de kwaliteit van het ijs zeker niet ten goede. Na 1-2 weken verliest het ijs zijn structuur en verse smaak. Versbereid ijs is lekkerder.

Indien u het ijs toch in het diepvriesvak wilt bewaren, neemt u de volgende richtlijnen in acht:

Bewaar het ijs in een schoon en goed afgesloten recipiënt voor diepvriezer.

De temperatuur om het ijs te bewaren moet minder dan -18°C bedragen.

Schrijf op het recipiënt de bereidingsdatum en het soort ijs.

LET OP

Ijs is gevoelig voor bacteriën. Het is bijgevolg belangrijk dat de ijsmachine en instrumenten heel schoon en droog zijn.

Vries ontdooid of halfontdooid ijs nooit opnieuw in.

Haal het ijs minstens een half uur vóór het opdienen uit het diepvriesvak en zet het in de koelkast. Laat het ijs eventueel 10/15 minuten op kamertemperatuur komen zodat het geschikt is om te worden opgediend.

BEWAARTIJD

Ijs op basis van niet gekookte ingrediënten: \pm 1 week

Sorbets: \pm 1-2 weken

Ijs op basis van halfgekookte ingrediënten: \pm 2 weken

HET APPARAAT REINIGEN

De hygiëne is uiterst belangrijk bij de bereiding van ijs.

Alvorens de ijsmachine te reinigen, controleer of u de stekker uit het stopcontact hebt getrokken.

Om het deksel los te haken van de motor van de mengschoep, drukt u op de knop (C) onder het motorgedeelte (fig. 4).

De koelingsbeker, de mengschoep en het deksel kunnen gewassen worden met lauw water en schoonmaakmiddel.

Giet water in de vaste beker en schoonmaakt met een doek. Spoel en droog grondig af.

Geen onderdelen in de vaatwasmachine wassen.

Het motorgedeelte schoonmaken met een vochtige doek. Het motorgedeelte niet onderdompelen in water of afspoelen onder de kraan. **Plaats de mengschoep niet in het diepvriesvak.**

LET OP: Wanneer gebruik wordt gemaakt van de uitneembare beker in aluminium, is het heel belangrijk alle onderdelen die in contact komen met het zout grondig te reinigen, om corrosie tegen te gaan.

NUTTIGE AANWIJZINGEN

- Voor enkele recepten dienen de ingrediënten gekookt te worden. Deze dienen minstens een dag op voorhand bereid te worden opdat ze helemaal kunnen afkoelen en in volume toenemen.
- Met koude bestanddelen bereikt men betere resultaten als men de eieren en de suiker met een elektrische mixer klopt. Het mengsel zal hierdoor in volume toenemen.
- Het merendeel van de mengsels bestaat uit room, melk, eieren en suiker. Men kan elke soort room gebruiken, maar de smaak en consistentie van het ijs variëren aanzienlijk naar gelang de kwaliteit van de gebruikte room. Des te hoger het vetgehalte van de room, des te rijker zal de smaak van het ijs zijn. Bijvoorbeeld: volle room heeft een minimaal vetgehalte van 36%, opgeklopte room 30%, koffieroom of magere room en een halve dosis room + een halve dosis melk 10%. In ieder geval is het belangrijk steeds dezelfde hoeveelheid vloeistof te behouden. Bijvoorbeeld, men kan een lichtere soort ijs maken door meer melk te gebruiken dan room, of door helemaal geen room te gebruiken. Men kan ook magere melk gebruiken, met evenwel een aanzienlijk verschil in de consistentie van het ijs.
- Het mengsel voor het bereiden van het ijs kan verschillende dagen in de koelkast blijven staan. Men dient het mengsel goed te schudden alvorens het in de beker te gieten.
- Vul de koelingsbeker maar voor de helft met het mengsel; het mengsel zal in volume toenemen tijdens de bereiding.
- Alcohol vertraagt het koelingsproces. Het is daarom raadzaam de alcohol enkele minuten vóór het verlopen van de bereidingstijd toe te voegen.
- De smaak van de sorbets is zeer afhankelijk van de rijpheid en de zoetheid van het gebruikte fruit en vruchtensap. Proef het fruit alvorens het aan het recept toe te voegen. Indien het fruit te zuur is, voeg dan wat extra suiker toe. Als het fruit erg rijp is, wat minder of helemaal geen suiker toevoegen. Houd er echter rekening mee dat het koelen de zoete smaak vermindert.
- Men kan ook zoetstof gebruiken in plaats van suiker. In dit geval de zoetstof aan het mengsel toevoegen en goed mengen totdat het helemaal opgenomen is.
- De ingrediënten die werden opgewarmd moeten volkomen afgekoeld zijn voordat ze in de koelingsbeker gegoten worden.
- Indien u tijdens de bereiding het recept zoeter wilt maken, dient u de suiker niet rechtstreeks in de koelingsbeker te doen (smelt niet). Het is raadzaam de suiker eerst te laten smelten in een beetje water of magere melk en daarna de verkregen stroop (afgekoeld) in de koelingsbeker te gieten.
- Het voor de recepten te gebruiken fruit moet altijd gewassen en afgedroogd worden vóór het gebruik. Bovendien, ook al wordt dit niet vermeld, dient het fruit te worden geschild, ontdaan van de pel, ontpit, enz.
- Indien men de hoeveelheid ijs wenst te verminderen, kan men de aangegeven doseringen delen of halveren.

- Wanneer rauwe eieren gebruikt worden, controleren of ze vers zijn door ze één voor één in een schaal te breken en na te gaan of:
 1. de eieren niet stinken;
 2. het eiwit niet waterig is maar stevig is en aan de eierdooier vastzit;
 3. de eierdooier rond en bol is.

WAT KAN ER VERKEERD GAAN??

In normale omstandigheden duurt de bereiding van ijs niet langer dan 40 minuten.

Indien na 40 minuten nog geen ijs wordt bekomen, dient u alle onderstaande punten na te gaan, alvorens u te wenden tot een erkend service centrum.

- De ingrediënten worden op kamertemperatuur, of bij voorkeur op koelkasttemperatuur in de beker gedaan. Wanneer de ingrediënten te warm zijn, kan onmogelijk ijs worden bereid.
- De beker mag maar voor de helft worden gevuld (maximale hoeveelheid ingrediënten 800 gram). Wanneer er teveel ingrediënten worden gebruikt, neemt de bereidingstijd van het ijs beduidend toe en is het resultaat mogelijk niet bevredigend.
- Omwille van de aanwezigheid van een veiligheidsinrichting op de compressor, wordt de afkoeling onderbroken wanneer de stroom uitvalt of het apparaat om een of andere reden onverwachts wordt in- en uitgeschakeld. In dergelijke gevallen laat u de inrichting 5 minuten rusten alvorens het apparaat weer aan te zetten. Indien deze rustpauze niet wordt gerespecteerd, wordt de werking niet hernomen, ook al staat de koelingsknop op ON en brandt het relatieve controlelampje..

Het wordt sterk aanbevolen alle bovenvernoemde punten te controleren alvorens u tot een erkend service centrum te wenden. Indien in het service centrum geen probleem wordt vastgesteld relatief aan de werking van de machine, zijn de kosten ten laste van de gebruiker.

WORTELIJS

INGREDIËNTEN: 250 gram suiker, 1,3 kg worteltjes, 1 citroen, 4 dl slagroom

Rasp en was de worteltjes, doe ze in de centrifuge en haal er het sap uit. Doe de worteltjes in een kom, giet er een deciliter water bij en zet op een zacht vuurtje, met de suiker en het citroensap.

Laat 5 minuten op het vuur zonder te laten koken, neem de kom van het vuur en laat wat afkoelen. Doe er nu de room bij, meng goed en zet het mengsel in de koelkast om te laten afkoelen. Giet vervolgens het mengsel in de ijsmachine, die u ongeveer 30 minuutjes laat werken.

THEE-IJS

INGREDIËNTEN: 4 lepels thee, het sap van 3 sinaasappels, 1/2 liter vloeibare room, 2 eieren, suiker, 1/2 water

Laat het water koken, giet het op de thee en laat drie minuten trekken. Filter, laat afkoelen en zet in de koelkast. Bewerk met een mixer het thee-extract en de vloeibare room, het sinaasappelsap en de eierdooiers. Wanneer u een homogeen mengsel hebt bekomen, giet u het in de ijsmachine, die u ongeveer 30 minuutjes laat werken.

NOGAJIS

INGREDIËNTEN: 30 gram kandijcider, 40 gram rode kandijpompoen, 30 gram zoete amandelen, 20 gram pistachenoten, 250 gram suiker, 1 dl melk, 4 eierdooiers, 1 zakje vanillesuiker

Bereid een crème met de melk, de poedersuiker, de vanillesuiker en de eierdooiers. Wanneer het mengsel luchtig is, voegt u er de pistachenootjes, de amandelen, de cider en de in stukjes gesneden pompoen aan toe. Meng goed en giet alles in de ijsmachine, die u 30 tot 40 minuutjes laat werken.

DADELIJS

INGREDIËNTEN: 200 gram dadels, 200 gram melk, 150 gram vloeibare room, 1 lepel gerstemout

Ontpit de dadels en ontdoe ze van de schil, die makkelijk te verwijderen is. Hak ze fijn, doe er de gerstemout, de melk en de room bij. Meng goed, giet in de ijsmachine, die u ongeveer 30 minuutjes laat werken.

Deze bereiding is ideaal voor roomijs op basis van abrikozen of droge pruimen.

RIJST- EN KRENTENIJS

INGREDIËNTEN: 150 gram halfbewerkte rijst, 50 gram krenten, 1/2 liter melk, 2 lepels honing, 1 vanillestokje, 1 snuifje zout, het sap en de schil van een citroen, de schil van een sinaasappel.

Kook de rijst in de melk met krenten en vanille. Breng tot het kookpunt op een vrij zacht vuurtje, doe er een snuifje zout bij en laat verder koken tot het water helemaal verdampt is. Neem de vanille eruit en laat afkoelen. Rasp de schil van een citroen en een sinaasappel en pers de citroen. Voeg de honing toe aan de afgekoelde rijst. Meng alle ingrediënten en giet het mengsel in de ijsmachine, die u ongeveer 30 minuutjes laat werken.

KASTANJE-IJS

INGREDIËNTEN: 250 gram kastanjes, 250 gram melk, 100 gram room, 1 ei, 2 lepels honing, een snuifje zout

Pel de kastanjes en laat ze enkele minuutjes in kokend water, zodat het vliesje rond de kastanje makkelijker loskomt.

Indien u droge kastanjes gebruikt, laat u die eerst een hele nacht weken in koud water, zodat ze zacht worden. Laat uitlekken.

Giet de melk en de room in een kom, laat koken en voeg er de kastanjes bij. Doe er een snuifje zout bij en laat een uurtje koken op een zacht vuurtje. Wanneer de kastanjes gaar zijn, maakt u er een crème van met de pureestamper of mixer. Voeg er eventueel melk bij om de juiste consistentie te bekomen.

Voeg er nu de honing aan toe en meng goed of mix enkele ogenblikken om een homogeen mengsel te bekomen. Wanneer het mengsel goed afgekoeld is, giet u het in de ijsmachine, die u ongeveer 30 minuutjes laat werken.

Slagroomijs is bijzonder luchtig ijs, waarbij slagroom of opgeklopte eiwitten worden toegevoegd aan de ingrediënten. Slagroomijs kan worden afgekoeld in vormpjes of tussen twee koekjes, zoals voorgesteld door de meest klassieke traditie.

SLAGROOMIJS MET GEKARAMELISEERDE

NOTEN

INGREDIËNTEN: INGREDIËNTEN: 2/3 kop fijn-gehakte noten, 185 gram suiker, 1/2 liter melk, 3 eierdooiers, 1 kop slagroom, 1/2 vanillestokje.

Gebruik het vanillestokje om de melk te aromatiseren. Bereid een zachte en romige crème door de eierdooiers, de melk, een derde van de suiker en een snuifje zout te laten koken in bain marie. Haal er op het einde het vanillestokje uit.

Laat de rest van de suiker karameliseren, doe er de nootjes bij en giet alles in een ingeboterde bakvorm, waarin u het mengsel helemaal laat afkoelen.

Van zodra het mengsel goed koud en stevig is, breekt en mengt u het met de mixer. Voeg de gekarameliseerde suiker toe aan de eerder bereide crème, meng goed met een houten lepel en doe er voorzichtig de room bij. Giet het mengsel in de ijsmachine, die u ongeveer 30 minuutjes laat werken.

CHOCOLADESLAGROOMIJS

INGREDIËNTEN: 75 gram pure chocolade, 185 gram suiker, 4 koppen slagroom, 1 theelepeltje vanille, zout.

Laat de chocolade smelten in een driekwart kop heet water en voeg hem bij de room. Meng ook de suiker, een snuifje zout en de vanille, en giet het mengsel in de ijsmachine, die u ongeveer 30 minuutjes laat werken.

KRIEKENSLAGROOMIJS

INGREDIËNTEN: 500 gram ontpitte krieken in stroop, 4 eieren, 300 gram suiker, 250 gram melk, 1 vanillestokje.

Meng in een bakvorm drie eierdooiers met een derde van de suiker, tot u een zacht en romig mengsel bekomt. Inmiddels warmt u de melk op, die u aromatiseert met een vanillestokje (dat er nadien wordt uitgehaald) en meng de melk beetje bij beetje onder de eierdooiers en de suiker.

Laat het eimengsel koken in bain marie tot het verdikt en terwijl u blijft roeren giet u het in een bakje met ijs om te laten afkoelen. Bereid nu een stroop door de resterende suiker op te lossen in 4-5 lepels water en laat koken. Neem van het vuur wanneer het mengsel begint te koken.

Klop de eiwitten tot sneeuw en voeg er langzaam de suikerstroop aan toe. Blijf energiek mengen tot u een zacht mengsel bekomt dat u vervolgens bij de eicrème doet. Meng voorzichtig van onder naar boven toe, om het opgeklopt eiwit niet te breken.

Laat de krieken in stroop uitlekken en hak er ongeveer de helft van, die u bij het bereide mengsel doet.

Meng en laat wat opstijven in de ijsmachine. Giet vervolgens in het ijsbakje en zet gedurende minstens 4 uur in het vriesvak.

AARDBEIENSLAGROOMIJS

INGREDIËNTEN: 500 gram aardbeien, 370 gram suiker, citroensap, 1 kop vloeibare room, zout.

Was de aardbeien, bestrooi ze met suiker en laat ze 2 uren rusten. Doe ze vervolgens door een zeef met fijne mazen en voeg er een snuifje zout aan toe. Laat de room wat verdikken in het vriesvak en voeg er beetje bij beetje het aardbeiensap aan toe. Giet het mengsel in de ijsmachine, die u ongeveer 30 minuutjes laat werken.

VIJGENSORBET

INGREDIËNTEN: 500 gram rijpe vijgen, 50 gram rietsuiker, 100 gram melk, het sap van een $\frac{1}{2}$ citroen.

Schil de vijgen, mix ze samen met de suiker, de melk en het citroensap. Giet het mengsel in de ijsmachine, die u laat werken tot de gewenste consistentie bereikt is.

WATERMELOENSORBET

INGREDIËNTEN: 500 gram watermeloen, 100 gram suiker, 100 gram water, 100 gram vloeibare room, citroensap

Snijd de watermeloen in stukjes, verwijder de pitjes en vang het sap op, dat u mengt met het citroensap. Bereid apart de stroop, door de in water en enkele lepels sap van de watermeloen opgeloste suiker enkele minuten te laten koken. Laat de stroop afkoelen. Klop de room op. Meng alle ingrediënten en voeg er het fruit en de stroop met room aan toe. Let erop de room niet te breken. Giet alles in de ijsmachine, die u laat werken tot de gewenste consistentie bereikt is.

FRAMBOZENSORBET

INGREDIËNTEN: 500 gram rijpe frambozen, 100 gram suiker, 150 gram water, 1 eiwit, citroensap.

Was snel en voorzichtig de frambozen onder een lichte waterstraal. Laat de frambozen uitlekken en bedek ze met het citroensap waaraan u wat suiker hebt toegevoegd. Bereid inmiddels de stroop door het water en de suiker gedurende circa 10 minuten te laten koken in een kommetje. Laat afkoelen en mix alle ingrediënten alvorens ze in de ijsmachine te doen.

KIWISORBET

INGREDIËNTEN: 500 gram rijpe kiwi's, 50 gram suiker, citroensap

Schil de kiwi's en snijd ze in schijfjes. Mix de kiwi's enkele minuten met de suiker en het citroensap. Giet het mengsel in de ijsmachine, die u laat werken tot de gewenste consistentie bereikt is.

MANDARIJNSORBET

INGREDIËNTEN: 4 rijpe mandarijnen, 1 sinaasappel, 150 gram suiker, 250 gram water, 200 gram vloeibare room.

Bereid eerst de stroop, door het water en de suiker gedurende circa 10 minuten te laten koken in een kommetje. Wanneer het mengsel nog warm is, doet u er de geraspte schil van de sinaasappel bij en laat u afkoelen. Pers inmiddels de mandarijnen en een halve sinaasappel, en voeg het sap toe aan de afgekoelde stroop. Meng goed, voeg de opgeklopte room toe en giet het mengsel in de ijsmachine, die u laat werken tot de gewenste consistentie bereikt is.

ADVERTENCIAS IMPORTANTES

Cuando se utilizan aparatos eléctricos es necesario prestar mucha atención a algunas normas de seguridad importantes, en particular:

1. Leer atentamente las instrucciones para el empleo antes de instalar y utilizar el aparato.
2. No sumergir el motor en el agua o en otros líquidos: **peligro de sacudidas eléctricas.**
3. Este aparato no está pensado para ser utilizado por personas (incluyendo niños) con capacidades físicas, sensoriales o mentales disminuidas, o con falta de experiencia o conocimientos, a menos que hayan recibido instrucciones o supervisión en relación con el uso del aparato por parte de una persona responsable de su seguridad. Los niños deben ser vigilados para asegurarse de que no juegan con el aparato.
4. Desenchufar el aparato cuando no está funcionando, antes de desmontarlo y antes de limpiarlo.
5. No tocar partes en movimiento. Para evitar riesgos de infortunios o daños al aparato no tocarlo, mientras está funcionando, con las manos, con el pelo, con la ropa, con espátulas u otros utensilios. **NO UTILIZAR OBJETOS O UTENSILIOS AFILADOS EN EL INTERIOR DEL CESTO.** Podrían arañar o perjudicar el interior del cesto. Una espátula de goma o una cuchara de madera pueden ser usadas cuando el aparato está apagado.
6. El cable de alimentación de este aparato no debe ser sustituido por el usuario, ya que para su sustitución es necesaria una herramienta especial. Si el cable se dañara o si fuera necesario reemplazarlo, diríjase únicamente a un Centro de Asistencia autorizado por el fabricante.
7. No utilizar aparatos con el cable de alimentación o el enchufe estropeados, o después de un funcionamiento anormal del aparato mismo, o después de que el aparato se haya caído o haya sido dañado de cualquier otra forma. En estos casos, se aconseja llevar el aparato al centro de Asistencia Autorizado más cercano para que lo reparen.
8. El empleo de accesorios que no han sido creados expresamente para este aparato, puede ser causa de incendio y de sacudidas eléctricas.
9. No utilizarlo fuera.
10. No dejar que el cable de alimentación sobresalga por el borde de la mesa o del plano de trabajo y evitar que el cable mismo esté en contacto con superficies calientes.
11. Este aparato ha sido creado para un empleo doméstico. Cualquier operación de mantenimiento diferente de la normal limpieza debe ser efectuada por un Centro de Asistencia Autorizado por el fabricante.
12. No dejar NUNCA el aparato apoyado o guardado sobre un lado o boca abajo.
13. No utilizar la máquina en las proximidades de fuentes de calor, mantenerla a una distancia mínima de 20 cm de paredes u objetos, que podrían limitar la libre circulación del aire.
14. Cualquier operación de mantenimiento no comprendida en la limpieza normal debe ser realizada por el centro de asistencia autorizado del fabricante.
15. El aparato debe enchufarse obligatoriamente a un equipo con toma de corriente con una capacidad mínima de 5 A y equipada con un eficaz contacto de puesta a tierra. El fabricante no es responsable por los eventuales perjuicios causados por la ausencia de la puesta a tierra en la instalación, en caso de dudas ponerse en contacto con personal cualificado.
16. Los materiales y los objetos destinados al contacto con productos alimenticios corresponden al Reglamento 1935/2004. Este aparato cumple lo dispuesto por la Directiva de Baja Tensión 2006/95/CE y por la Directiva de la Compatibilidad Electromagnética 2004/108/CE.
17. Esta unidad es de clase climática "N", adecuado para utilizarse hasta una temperatura ambiente de 32° C.

CONSERVAR LAS INSTRUCCIONES PARA EL EMPLEO

DESCRIPCIÓN

- | | |
|---|--|
| A Motor pala mantecedora | I Toma para cable motor pala |
| B Interruptor ON/OFF | L Cable de alimentación |
| C Pulsador de desenganche tapadera | M Pulsador de abertura tapadera |
| D Pala mantecedora patentada | N Piloto |
| E Cuerpo principal de la máquina | O Interruptor de refrigeración |
| F Cesto extraíble | P Tapadera |
| G Medidor | Q Abertura tapadera |
| H Paleta | |

FUNCIONAMIENTO

1. Enchufar la máquina a una toma de corriente.
2. Encender el interruptor de refrigeración por lo menos 5 minutos antes de verter los ingredientes.
3. Colocar la tapadera con el cuerpo motor accionamiento pala mantecedora en posición para engancharla en la base.
4. Encender el interruptor ON/OFF.
5. Verter los ingredientes.

El helado estará listo en un tiempo que varía entre 20 y 40 minutos.

El tiempo necesario para obtener el helado depende de la naturaleza, de la temperatura y de la cantidad de los ingredientes utilizados y también de la temperatura ambiente.

LA PRIMERA UTILIZACIÓN

IMPORTANTE: colocar la máquina sobre una superficie plana en posición horizontal por lo menos 12 horas antes de utilizarla por primera vez.

- Adoptar el mismo procedimiento incluso, posteriormente, cada vez que por cualquier motivo, la máquina haya permanecido en una posición no horizontal.
- Antes de utilizarla, lavar meticulosamente todas las partes que entrarán en contacto con el helado: el cesto fijo, el cesto extraíble, la pala y la tapadera transparente.

PREPARACIÓN DE LA MEZCLA

Elegir una receta y preparar los ingredientes amalgamándolos de forma adecuada. Tener cuidado de:

- Utilizar fruta e ingredientes sin desperdicios.
- Utilizar los ingredientes a temperatura del frigorífico para reducir el tiempo de preparación del helado.
- No superar la cantidad total de 800 g. de mezcla para que el volumen aumente correctamente.

LA PREPARACIÓN DEL HELADO

1. Colocar el aparato cerca de un enchufe de corriente sobre una superficie plana y estable.
2. Colocar la máquina de forma que quede suficiente espacio a su alrededor, para no obstruir las rejillas de ventilación, situadas en los lados.
3. Controlar que el voltaje indicado en la placa de los datos corresponda al voltaje de la red.
4. Enchufar la máquina a la corriente.

Encender el interruptor de refrigeración (O) situado en el cuerpo de la máquina. El piloto (N) se iluminará para indicar que el equipo de refrigeración está funcionando. Esperar que transcurran 5 minutos antes de verter los ingredientes en la máquina.

5. Mientras, enganchar el cuerpo en la tapadera e introducir la pala mantecedora (fig. 1). Cerrar el aparato apoyando la parte ensamblada (cuerpo motor, tapadera y pala mantecedora) en el cuerpo de la máquina, a continuación darle vueltas en el sentido de las agujas del reloj hasta engancharla (fig. 2).
6. Introducir el enchufe del cuerpo motor pala mantecedora en la toma (i) situada en el cuerpo de la máquina.
7. Dejar pasar 5 minutos para accionar el motor de mantecación pulsando el interruptor ON/OFF (B) a continuación verter los ingredientes por la abertura presente en la tapadera.
8. No llenar el cesto hasta más de la mitad ya que durante la elaboración el preparado aumenta de volumen.
9. Usar preferentemente ingredientes a temperatura del frigorífico, NUNCA ingredientes calientes.
10. Durante la preparación, se puede añadir por la abertura de la tapadera chocolate en escamas, uvas pasas y otros ingredientes. Esperar para añadir los ingredientes alcohólicos hasta el final de la preparación pues éstos retrasan considerablemente el enfriamiento. El helado aumentará de volumen hasta llenar el cesto durante los últimos minutos de la preparación.
11. El tiempo de preparación puede variar entre los 20 y los 40 minutos en función de la receta elegida, de la cantidad y de la temperatura de los ingredientes utilizados.

ATENCIÓN: evitar apagar el interruptor de refrigeración (O) antes de haber acabado la preparación del helado. Si sucediese, o si por cualquier razón se produjese un corte de corriente, el dispositivo especial con el que está equipado el compresor impediría la continuación de la refrigeración durante 5 minutos aproximadamente, perjudicando el resultado del helado obtenido.

12. Cuando el helado alcanza una consistencia correcta la pala invierte el sentido de rotación para indicar que el helado está listo. Este movimiento no provoca ningún daño al motor ni a la pala, aunque es conveniente parar la pala.
13. Si se desea un helado mucho más consistente, dejar encendido el interruptor de refrigeración (O) otros 5-10 minutos más.
ATENCIÓN: no olvidar apagar el interruptor de refrigeración sino el helado se transformará en un bloque de hielo.
14. Apagar el interruptor ON/OFF (B), desenchufar el aparato, extraer el motor y la tapadera transparente dándole vueltas en el sentido contrario de las agujas del reloj. Para facilitar la extracción del helado extraer también la pala (D).
15. Con la paleta específica (H), incluida en el equipamiento, extraer el helado del cesto, o alternativamente con una cuchara de plástico o de madera para no estropear las paredes ni el fondo del cesto.
16. Esperar hasta que pasen algunos minutos tras haber sacado el cesto, cuando deje de estar demasiado frío, para limpiar los restos de helado con un paño húmedo o con papel absorbente, finalmente secar el cesto meticulosamente.

UTILIZACIÓN DEL CESTO EXTRAÍBLE

Para utilizar el cesto extraíble, efectuar las siguientes operaciones:

Verter en el cesto fijo un medidor de alcohol o de cualquier bebida superalcohólica (grappa, brandy). Un medidor equivale a 25 ml. En alternativa, se puede utilizar una solución de agua y sal (50 g. de sal diluida en 20 ml de agua). Introducir a continuación el cesto extraíble (F) en el cesto fijo hasta encajarlo completamente en él.

Es fundamental efectuar correctamente esta operación para permitir una correcta transmisión del frío del cesto fijo al cesto extraíble y por lo tanto conseguir preparar un buen helado.

Enganchar el cuerpo motor en la tapadera e introducir la pala mantecadora (fig. 1). Cerrar el aparato apoyando la parte ensamblada (cuerpo motor, tapadera y pala mantecadora) en el cuerpo de la máquina, teniendo cuidado de que coincida el espacio presente en la tapadera transparente con el enganche del mango del cesto extraíble (fig. 3), a continuación darle vueltas en el sentido de las agujas del reloj hasta engancharla.

Encender el interruptor de refrigeración (O). Esperar que transcurran 5 minutos para preparar el helado siguiendo el mismo método utilizado para el cesto fijo.

Cuando el helado esté listo, quitar la tapadera y extraer el cesto. A continuación eliminar la solución salina o el alcohol y secar el cesto fijo.

LA CONSERVACIÓN DEL HELADO

En la heladora

Cuando el helado está listo, se puede conservar tapado en la heladora durante 10-20 minutos, aproximadamente, con el motor apagado. Antes de servirlo, encender la heladora para mantecarlo de nuevo durante unos minutos para que recupere la correcta consistencia y mantecación.

En el congelador

Se puede conservar (por un tiempo limitado) el helado en el congelador. Una larga permanencia en el congelador, de todas formas, no favorece el gusto y la calidad del helado. Después de 1-2 semanas la estructura del helado disminuye y el gusto fresco se pierde. El helado fresco sabe mejor. Si se desea conservar de todas formas el helado en el congelador, se deben respetar las siguientes reglas:

Conservar el helado en un recipiente para congelador muy limpio y bien cerrado.

La temperatura mínima de conservación debe ser -18°C .

Indicar en el recipiente la fecha de la preparación y el tipo de helado.

Atención

El helado es sensible a las bacterias. Por consiguiente, es importante mantener perfectamente limpios y secos el aparato y los utensilios.

No volver a congelar nunca helado descongelado o semidescongelado.

Sacar el helado del congelador media hora antes de servirlo aproximadamente y dejarlo en el frigorífico.

Eventualmente se puede dejar durante 10/15 minutos a temperatura ambiente para obtener la temperatura apta para la consumición.

PERIODO DE CONSERVACIÓN

Helado a base de ingredientes sin cocer: ± 1 settimana

Sorbetes: 1-2 semanas

Helado a base de ingredientes semicocidos: ± 2 semanas

LIMPIEZA DEL APARATO

La higiene es el precepto más importante a observar cuando se prepara el helado.

Antes de limpiar el aparato controlar que haya sido desenchufado de la corriente.

Para desenganchar la tapadera del motor de mantecación, utilizar el pulsador **C** de desenganche tapadera, situado bajo el cuerpo motor (fig. 4).

El cesto de refrigeración, la pala mantecadora y la tapadera pueden lavarse en agua templada con detergente.

El cesto fijo debe lavarse con agua y un paño húmedo. Enjugar y sacar con un trapo.

No sumergir la parte motor en el agua, ni enjuagarla nunca bajo el grifo.

No lavar ninguna parte en el lavavajillas.

Se puede limpiar el cuerpo motor con un paño húmedo.

ATENCIÓN: cuando se utilizar el cesto extraíble de aluminio, es muy importante limpiar meticolosamente todas las partes que entran en contacto con la parte salina para evitar fenómenos de corrosión.

CONSEJOS ÚTILES

- Algunas recetas prevén la cocción. Deben prepararse un día antes al menos para que se enfríen completamente y aumenten de volumen. De todas formas aconsejamos siempre dejar enfriar el preparado de base.
- Con los preparados en frío se obtienen resultados mejores batiendo los huevos y el azúcar con una batidora eléctrica, que contribuirá a adensar el preparado.
- La mayoría de los preparados son el resultado de la mezcla de nata, leche, huevos y azúcar. Se puede utilizar la nata deseada, pero el sabor y la consistencia cambiarán enormemente en función de la calidad de la nata elegida. Cuanto más alto sea el porcentaje de grasa contenido en la nata más rico será el helado. Por ejemplo: la nata entera contiene el 36% de grasa mínima, la nata montada el 30%, la nata para el café o la nata desnatada el 18% y mitad de nata + mitad de leche el 10%. En todo caso, lo importante es mantener siempre la misma cantidad de líquido. Por ejemplo, el helado más ligero puede hacerse utilizando una mayor cantidad de leche que de nata o eliminando del todo la nata. Se puede utilizar también leche desnatada, pero notará una notable diferencia en la consistencia del helado.
- Echar en el cesto el preparado y llenarlo hasta la mitad; el preparado aumentará de volumen durante la elaboración.
- Los ingredientes con alcohol deceleran el proceso de refrigeración. Aconsejamos por lo tanto añadir el licor en los últimos minutos de la elaboración.
- El gusto de los sorbetes dependerá mucho de la madurez y de la dulzura de la fruta y del zumo utilizado. Probar la fruta antes de añadirla a la receta. Si su sabor es demasiado áspero, añadir azúcar; pero si la fruta está muy madura añadir menos azúcar o no azucarar incluso. No hay que olvidar que el frío disminuye la dulzura.
- El azúcar puede también sustituirse con dulcificantes. En este caso añadir el dulcificante al preparado y mezclar hasta que se disuelva completamente.
- Echar los preparados, que han sido calentados previamente, en el cesto únicamente cuando se hayan enfriado.
- Si se desea endulzar más la receta durante la preparación, no añadir directamente el azúcar en el interior del cesto (no se disuelve). Aconsejamos, sin embargo, disolver el azúcar en un poco de agua o de leche desnatada y echar luego el almíbar obtenido (enfriado) en el cesto.
- Lavar siempre y secar la fruta antes de usarla en las recetas y aunque no se especifique la fruta debe estar pelada, descascarada, deshuesada, etc.

- Si se desea disminuir la cantidad de helado, las dosis indicadas se pueden fraccionar o reducir a la mitad.
- Cuando se utilizan huevos crudos, comprobar que estén frescos rompiéndolos uno por uno en un recipiente y controlando que:
 1. no haya mal olor;
 2. el aspecto de la clara no debe ser acuoso sino denso y adherente a la yema.
 3. La yema debe ser redonda y abultada.

¿ALGO NO FUNCIONA CORRECTAMENTE?

En condiciones normales, la preparación del helado no requiere más de 40 minutos.

Si después de 40 minutos, el helado no se ha formado aún, comprobar todos los puntos que siguen antes de solicitar la intervención de un centro de asistencia autorizado:

- Los ingredientes deben echarse en la heladora a temperatura ambiente o mejor aún a temperatura del frigorífico. Si los ingredientes están calientes es imposible preparar el helado.
- No se debe llenar el cesto hasta más de la mitad de su capacidad (cantidad máxima de ingredientes 800 g.). Si la cantidad de ingredientes es excesiva, el tiempo requerido para la formación del helado aumenta considerablemente y el resultado podría ser insatisfactorio.
- Por la presencia de un dispositivo de seguridad en el compresor, si se produce un corte de corriente o si la máquina por cualquier motivo se apaga y se enciende de nuevo de repente, el funcionamiento del dispositivo de refrigeración se interrumpe. En estos casos, dejar reposar el dispositivo durante 5 minutos antes de encenderlo otra vez. Si no se respeta la pausa de 5 minutos, el funcionamiento no se reanudará aunque el pulsador de refrigeración se encuentre en la posición ON y el piloto relativo esté encendido.

Aconsejamos, vivamente, comprobar todos los puntos enumerados anteriormente antes de solicitar la intervención de un centro de asistencia autorizado. Si el centro de asistencia no detectase anomalías en el funcionamiento de la máquina, los gastos derivados de este control correrían a cargo del usuario.

HELADO DE ZANAHORIAS

INGREDIENTES: 200 g. de azúcar, 1,3 kg de zanahorias tiernas, 1 limón, 4 dl de nata a montar.

Raspar y lavar las zanahorias, utilizar una licuadora para extraer el zumo. Echarlo en una cacerola, diluir el zumo en un decilitro de agua y ponerlo a fuego lento añadiéndole el azúcar y el zumo de limón. Cocer durante 5 minutos, no dejar que el compuesto hierva, apartarlo del fuego y dejarlo que se enfríe. Incorporar entonces también la nata, mezclar bien y meter el compuesto obtenido en el frigorífico para que se enfríe. Echar, a continuación la mezcla en la heladora y encenderla durante 30 minutos aproximadamente.

HELADO DE TÉ

INGREDIENTES: 4 cucharadas pequeñas de té, el zumo de 3 naranjas, 1/2 litro de nata líquida, 2 huevos, azúcar, 1/2 vaso de agua.

Dejar que el agua hierva, echarla en el té y dejar en infusión durante 3 minutos. Filtrar el té, dejar que se enfríe y ponerlo en el frigorífico. Mezclar enérgicamente con una batidora el extracto de té bien frío con la nata líquida, el zumo de naranja y las yemas de los huevos. Cuando el compuesto esté bien amalgamado echarlo en la heladora, y encenderla durante 30 minutos aproximadamente.

HELADO DE TURRÓN

INGREDIENTES: 30 g. de acitrón, 40 g. de calabaza roja confitada, 30 g. de almendras dulces, 20 g. de pistachos, 250 g. de azúcar, 1 dl de leche, 4 yemas de huevo, 1 sobre de azúcar de vainilla.

Preparar una crema con la leche, el azúcar refinado, el azúcar de vainilla y las yemas de los huevos. Cuando la masa presente un aspecto espumoso, añadir los pistachos, las almendras, el acitrón y la calabaza en trozos. Amalgamar correctamente el todo y verter en la heladora, encenderla durante 30-40 minutos aproximadamente.

HELADO DE DÁTILES

INGREDIENTES: 200 g. de dátiles, 200 g. de leche, 150 g. de nata líquida, 1 cucharada de malta de cebada.

Deshuesar en primer lugar los dátiles y quitarles el pellejo que se despega más fácilmente. Triturar los dátiles finamente, añadir la malta de cebada y diluirlo todo con la leche y la nata. Amalgamar bien, a continuación verter la masa en la heladora, encenderla durante 30 minutos aproximadamente. Este procedimiento es válido también para preparar un helado a base de albaricoques o de ciruelas pasas.

HELADO DE ARROZ Y UVAS PASAS

INGREDIENTES: 150 g. de arroz semielaborado, 50 g. de uvas pasas, 1/2 l de leche, 2 cucharadas de miel, 1 barra de vainilla, 1 pizca de sal, el zumo y la corteza de un limón, la corteza de una naranja.

Cocer el arroz en la leche junto con la uva pasa y la vainilla. Dejar hervir, salar, mantener a fuego lento y cocer hasta que se haya absorbido completamente la leche. Quitar la vainilla y dejar enfriar. Rallar la corteza del limón y de la naranja y exprimir el limón. Añadir la miel al arroz enfriado. Batir perfectamente todos los ingredientes y verter a continuación en la heladora y dejarla encendida durante 30 minutos aproximadamente.

HELADO DE CASTAÑAS

INGREDIENTES: 250 g. de pulpa de castañas, 250 g. de leche, 100 g. de nata, 1 huevo, 2 cucharadas de miel, una pizca de sal.

Pelar las castañas para sacar la pulpa, pesarlas y blanquearlas en agua hirviendo durante unos minutos, para quitarles la piel más fina de forma más fácil. Pero si se usan castañas secas, dejarlas previamente en remojo toda una noche para ablandarlas y blanquearlas a continuación.

Verter la leche y la nata en una cacerola y dejar que hierva, añadir las castañas, salar ligeramente y dejar cocer lentamente durante una hora aproximadamente. Cuando las castañas estén bien cocidas, pasarlas por un pasapurés o un chino para obtener una crema, añadiendo leche para conseguir la consistencia correcta.

Entonces, se puede añadir también la miel y mezclar enérgicamente, o batir durante unos instantes para homogeneizar el todo. Cuando la masa se haya enfriado del todo, verterla en la heladora y encenderla durante 30 minutos aproximadamente.

Los helados batidos son helados especialmente ligeros y "espumosos" que contienen nata montada o claras a punto de nieve junto a los ingredientes utilizados. Estos helados batidos pueden dejarse enfriar en moldes de formas diferentes o entre dos galletas, como nos sugiere la tradición más clásica.

HELADO BATIDO CON NUECES CONFITADAS

INGREDIENTES: 2/3 de una taza de nueces trituradas, 185 g. de azúcar, 1/2 l de leche, 3 yemas de huevo, 1 taza de nata montada, 1/2 barra de vainilla.

Abrir la vainilla y usarla para aromatizar la leche. Preparar una crema suave y sin grumos, hirviendo a baño María las yemas, la leche, un tercio del azúcar y una pizca de sal, quitar al final la barra de vainilla. A parte, caramelizar el resto del azúcar, añadir las nueces y verterlo todo en una fuente untada con mantequilla, donde se dejará enfriar el compuesto pacientemente.

Cuando se haya enfriado y solidificado, partirlo en trozos y triturarlo con la batidora. Añadir el compuesto obtenido a la crema, previamente preparada, mezclar bien con una cuchara de madera e incorporar con delicadeza la nata montada. Verter el compuesto en la heladora y encenderla durante 30 minutos aproximadamente.

HELADO BATIDO DE CHOCOLATE

INGREDIENTES: 75 g. de chocolate amargo, 185 g. de azúcar, 4 tazas de nata montada, 1 cucharada pequeña de vainilla, sal.

Disolver el chocolate en tres cuartos de una taza de agua hirviendo y añadirlo a la nata. Mezclar con cuidado también el azúcar, una pizca de sal y la vainilla y verter la mezcla obtenida en la heladora, encenderla durante 30 minutos aproximadamente.

HELADO BATIDO DE CEREZAS

INGREDIENTES: 500 g. de cerezas en almíbar sin huesos, 4 huevos, 300 g. de azúcar, 250 g. de leche, 1 barra de vainilla.

En un bol batir tres yemas de huevo con un tercio del azúcar hasta obtener una masa blanda y cremosa. Mientras tanto, calentar la leche aromatizada con la vainilla (que se quitará después) y verterla gradualmente amalgamando las yemas con el azúcar.

Dejar cocer la masa de huevo a baño María hasta que se espese, después sin dejar de mezclar, echar la masa en un recipiente con hielo y dejar enfriar. Preparar un almíbar, disolviendo el azúcar sobrante con 4-5 cucharadas de agua y dejarlo hervir y apartarlo del fuego después. Montar las claras a punto de nieve dura, a continuación incorporar despacio el almíbar de azúcar, mezclando siempre enérgicamente hasta obtener una masa blanda que se añadirá a la crema de huevos, mezclando con delicadeza de abajo hacia arriba para que no se tuerza. Escurrir las cerezas en almíbar y triturar aproximadamente la mitad de ellas y añadir las a continuación a la masa preparada. Mezclar y dejar espesar ligeramente en la heladora, a continuación verter la masa en la bandeja de helado enfriada, metiéndola en el congelador durante un mínimo de 4 horas.

HELADO BATIDO DE FRESAS

INGREDIENTES: 500 g. de fresas, 370 g. de azúcar, limón, 1 taza de nata líquida, sal.

Lavar las fresas, espolvorearlas con azúcar y dejarlas reposar durante 2 horas. Pasarlas por un tamiz muy espeso y añadir un puñado de sal. Poner la nata en el congelador hasta obtener la densidad de la espuma, luego incorporar gradualmente el zumo de fresa. Verter la masa en la heladora y encenderla durante 30 minutos aproximadamente.

SORBETE DE HIGOS

INGREDIENTES: 500 g. de higos maduros, 50 g. de azúcar de caña, 100 g. de leche, el zumo de 1/2 limón.

Pelar los higos. Batir los higos con el azúcar, la leche y el zumo de limón. Verter la masa obtenida en la heladora y encenderla durante 30 minutos aproximadamente.

SORBETE DE SANDÍA

INGREDIENTES: 500 g. de pulpa de sandía, 100 g. de azúcar, 100 g. de agua, 100 g. de nata líquida, zumo de limón.

Cortar en trozos pequeños la pulpa de sandía eliminando todas las pepitas e intentando conservar el zumo, a continuación batirla con el zumo de limón. A parte, preparar el almíbar hirviendo durante unos minutos el azúcar disuelto en el agua y en algunas cucharadas de zumo de sandía. Dejar enfriar el almíbar. Montar la nata. Mezclar todos los ingredientes incorporando la fruta y el almíbar con la nata, teniendo cuidado de que no se tuerza la nata. Verter todo la masa obtenida en la heladora y dejarla funcionar hasta obtener la consistencia deseada.

SORBETE DE FRAMBUESAS

INGREDIENTES: 500 g. de frambuesas maduras, 100 g. de azúcar, 150 g. de agua, 1 clara de huevo, zumo de limón.

Lavar rápidamente y de forma delicada las frambuesas bajo un chorro de agua corriente suave. Dejarlas escurrir y cubrirlas con el zumo de limón, endulzado con un poco de azúcar. Mientras tanto preparar el almíbar hirviendo en una cacerola el agua y el azúcar durante 10 minutos aproximadamente. Dejar enfriar y batir todos los ingredientes antes de echarlos en la heladora.

SORBETE DE KIWI

INGREDIENTES: 500 g. de kiwis maduros, 50 g. de azúcar, zumo de limón.

Pelar y cortar a rodajas los kiwis. Batir durante unos minutos los kiwis con el azúcar y el zumo de limón. Verter en la heladora y dejarla funcionar hasta obtener la consistencia deseada.

SORBETE DE MANDARINA

INGREDIENTES: 4 mandarinas maduras, 1 naranja, 150 g. de azúcar, 250 g. de agua, 200 g. de nata líquida.

En primer lugar preparar el almíbar, hirviendo en una cacerola el agua y el azúcar durante 10 minutos aproximadamente. Aún caliente añadir la corteza rallada de la naranja y dejar enfriar. Mientras tanto exprimir las mandarinas y media naranja y añadir el zumo al almíbar frío. Mezclar con cuidado e incorporar la nata montada y verter la masa obtenida en la heladora y dejarla funcionar hasta obtener la consistencia deseada.

ADVERTÊNCIAS IMPORTANTES

Durante a utilização de aparelhos eléctricos, é necessário prestar muita atenção em algumas normas de segurança, especialmente:

1. Ler atentamente as instruções para o uso antes de instalar e utilizar o aparelho.
2. Não imergir o motor em água ou em outros líquidos: **perigo de choques eléctricos.**
3. Não permita o uso do aparelho a pessoas (inclusive crianças) com capacidades psicofísicas e sensoriais reduzidas, ou com experiência e conhecimentos insuficientes, a menos que não sejam atentamente vigiadas e instruídas por um responsável pela sua incolumidade. Vigiar as crianças, assegurando-se de que não brinquem com o aparelho.
4. Retirar a ficha da tomada de corrente quando o aparelho não estiver sendo usado, antes de o desmontar e antes de o limpar.
5. O fio eléctrico deste aparelho não deve ser substituído pelo utente, pois para a sua substituição é preciso utilizar utensílios especiais. No caso dos fios estarem danificados, contacte o Centro de Assistência devidamente autorizado.
6. Não tocar as partes em movimento. Para evitar riscos de acidentes ou de danos ao aparelho, não tocar com as mãos, cabelos, roupas, espátulas ou outros utensílios quando o aparelho estiver a funcionar. **NÃO UTILIZAR OBJECTOS OU UTENSÍLIOS CORTANTES NO INTERIOR DO CESTO.** Poderiam riscar ou danificar o interior do mesmo. Uma espátula de borracha ou uma colher de madeira podem ser usadas quando o aparelho estiver desligado.
7. Não utilizar aparelhos com o cabo de alimentação ou a ficha danificados, ou depois de um funcionamento anómalo do próprio aparelho, ou depois que o aparelho tenha caído ou tenha sido danificado de qualquer modo. Nestes casos é aconselhável levar o aparelho a um centro de assistência autorizado mais próximo para o conserto.
8. O uso de acessórios não criados especialmente para este aparelho pode causar incêndio ou choque eléctrico.
9. Não utilizar ao ar livre.
10. Não deixar que o cabo de alimentação ultrapasse o bordo da mesa ou do plano de trabalho e evitar também que o cabo entre em contacto com superfícies quentes.
11. Este aparelho foi criado para o uso doméstico. Qualquer operação de manutenção que não pertença à normal limpeza deve ser feita pelo Centro de Assistência Autorizado pelo fabricante.
12. O aparelho NUNCA deve ser deitado de lado ou virado de cabeça para baixo.
13. Utilizar a máquina longe de fontes de calor, mantendo-a ao menos a 20 cm. de paredes ou objectos que poderiam condicionar a livre circulação do ar.
14. Qualquer operação de manutenção que exceda a normal limpeza, deverá ser efectuada pelo Centro de Assistência Autorizado pelo fabricante.
15. O aparelho deve ser obrigatoriamente ligado em uma instalação com uma tomada de corrente com uma capacidade mínima de 5 A e minutos de eficiente contacto de ligação à terra. O fabricante não é responsável de eventuais danos devidos à falta de ligação à terra da instalação. Em caso de dúvidas, entrar em contacto com pessoal qualificado.
16. Os materiais e os objectos destinados ao contacto com productos alimentares estão em conformidade com as prescrições da Regulamento CEE 1935/2004. Este aparelho está em conformidade com as prescrições da Directriz de Baixa Tensão 2006/95/CE e da Directriz para a Compatibilidade Electromagnética 2004/108/CE.
17. Este aparelho é adequado para utilização com 32 ° C max. temperatura ambiente (classe climática "N").

CONSERVAR AS INSTRUÇÕES PARA O USO

DESCRIÇÃO

A Motor da pá misturadora

B Interruptor ON/OFF

C Botão de desengate da tampa

D Pá misturadora patenteada

E Corpo principal da máquina

F Cesto extraível

G Medidor

H Pá Tomada para o cabo do motor da pá

L Cabo de alimentação

M Botão de abertura da tampa

N Luz piloto

O Interruptor de refrigeração

P Tampa

Q Abertura da tampa

FUNCIONAMENTO

1. Ligar a ficha da máquina numa tomada de corrente,
2. Ligar o interruptor de refrigeração ao menos 5 minutos antes de deitar os ingredientes,
3. Posicionar a tampa completa do corpo motor de accionamento da pá misturadora e engatá-la à base,
4. Ligar o interruptor ON/OFF,
5. Deitar os ingredientes.

O gelado estará pronto em um tempo variável entre 20 e 40 minutos.

O tempo necessário para obter o gelado depende da natureza, da temperatura e da quantidade dos ingredientes usados, ademais que da temperatura ambiente.

A PRIMEIRA UTILIZAÇÃO

IMPORTANTE: deixar a máquina sobre uma superfície plana em posição horizontal ao menos 12 horas antes de utilizá-la pela primeira vez.

- Seguir o mesmo procedimento também em seguida, todas as vezes que a máquina, por qualquer razão, tenha sido colocada em posição não horizontal.
- Antes de utilizar a máquina de gelado, lavar cuidadosamente todas as partes que entram em contacto com o gelado, como o cesto fixo, o cesto extraível, a pá e a tampa transparente.

PREPARAÇÃO DA MISTURA

- Escolher uma receita e preparar os ingredientes oportunamente amalgamados. Prestar atenção a:
- Utilizar fruta e ingredientes já limpos e livres das partes não apropriadas.
- Utilizar os ingredientes em temperatura de frigorífico para reduzir o tempo de preparação do gelado.
- Não superar a quantidade total de 800 g. de mistura de modo a permitir um correcto aumento de volume.

A PREPARAÇÃO DO GELADO

1. Posicionar o aparelho perto de uma tomada de corrente sobre uma superfície plana e estável.
2. Dispor a máquina em modo tal que haja suficiente espaço ao seu redor, para não obstruir as grades de ventilação que se encontram em suas laterais.
3. Controlar que a tensão indicada na plaqueta das características corresponda àquela de rede.
4. Ligar a ficha à tomada de corrente.
5. Ligar o interruptor de refrigeração (**O**) situado no corpo da máquina. A luz piloto (**N**) se acenderá para sinalizar que a instalação de refrigeração está em funcionamento. Esperar 5 minutos antes de deitar os ingredientes.

6. No ínterim engatar o corpo motor à tampa e introduzir a pá misturadora (fig.1). Fechar o aparelho apoiando a parte acoplada (corpo motor, tampa e pá misturadora) ao corpo da máquina, em seguida, girar em sentido horário até engatá-lo (fig.2).
7. Introduzir a ficha do corpo motor da pá de mistura na tomada (I) situada no corpo da máquina.
8. Uma vez decorridos os 5 minutos, colocar em funcionamento o motor de mistura pressionando o interruptor ON/OFF (B), em seguida, deitar os ingredientes através da abertura existente na tampa.
9. Não encher o cesto mais da metade; durante a elaboração o preparado aumentará de volume.
10. Usar preferentemente ingredientes em temperatura de frigorífico, NUNCA usar ingredientes quentes.
11. Durante a preparação, pode-se acrescentar, através da abertura da tampa, chocolate em lascas, uva passa e outros ingredientes. As bebidas alcoólicas devem ser adicionadas somente no fim da preparação porque reduzem notavelmente a refrigeração. O gelado aumentará de volume até encher o cesto nos últimos minutos da preparação.
12. O tempo de preparação pode variar de 20 a 40 minutos em função da receita escolhida, da quantidade e da temperatura dos ingredientes utilizados.

ATENÇÃO: evitar desligar o interruptor de refrigeração (O) antes de ter concluído a preparação do gelado. Se este facto ocorrer ou se, por qualquer razão, se verificasse uma interrupção de corrente, o especial dispositivo com o qual o compressor está implementado não permitirá a prossecução da refrigeração por, aproximadamente, 5 minutos comprometendo a bom resultado do gelado.

13. Quando o gelado alcança uma boa consistência a pá inverte o sentido de rotação sinalizando que o gelado está pronto. Este movimento não causa qualquer dano ao motor nem à pá, em qualquer caso, é boa norma parar a pá.
14. Caso se deseje obter um gelado mais consistente, deve-se deixar ligado o interruptor de refrigeração (O) por mais 5-10 minutos.

ATENÇÃO: lembrar-se de desligar o interruptor de refrigeração caso contrário o gelado transformar-se-á num bloco de gelo.

15. Desligar o interruptor ON/OFF (B), retirar a ficha da tomada, tirar o motor e a tampa transparente girando em sentido contrário aos ponteiros do relógio. Para facilitar a extracção do gelado tirar também a pá (D)
16. Retirar o gelado do cesto utilizando a expressa espátula (H) que acompanha a máquina, ou, em alternativa, uma colher de plástico ou de madeira, para evitar causar danos às paredes e ao fundo do cesto.
17. Depois de alguns minutos da extracção do gelado, quando o cesto não estiver mais excessivamente frio, limpá-lo dos resíduos de gelado com um pano húmido ou com papel de cozinha, enfim, secá-lo cuidadosamente.

UTILIZAÇÃO DO CESTO EXTRAÍVEL

Para utilizar o cesto extraível, proceder como indicado a seguir.

Deitar no cesto fixo uma medida de álcool ou de qualquer outra bebida com elevado teor alcoólico (graspa, conhaque); um medidor corresponde a 25 ml. Em alternativa é possível utilizar uma solução de água e sal (5 g. de sal diluídos em 20 ml de água). Introduzir em seguida o cesto extraível (F) no cesto fixo introduzindo-o completamente. É muito importante efectuar correctamente esta operação para permitir uma correcta transmissão do frio do cesto fixo àquele extraível e, portanto, o bom resultado do gelado. Engatar o corpo motor à tampa e introduzir a pá misturadora (fig.1).

Fechar o aparelho apoiando a parte acoplada (corpo do motor, tampa e pá misturadora) ao corpo da máquina, prestando atenção para fazer coincidir o alojamento obtido na tampa transparente com o engate do cabo do cesto extraível (fig.3), em seguida, girar no sentido dos ponteiros do relógio até engatá-lo.

Ligar o interruptor de refrigeração (O), esperar aproximadamente 5 minutos e proceder à preparação do gelado seguindo o mesmo procedimento de quando se utiliza o cesto fixo. Quando o gelado estiver pronto, retirar a tampa e extrair o cesto. Em seguida limpar e secar o cesto fixo da solução salina ou do álcool.

A CONSERVAÇÃO DO GELADO

Na máquina de gelado

Quando o gelado estiver pronto, poderá conservá-lo coberto na mesma máquina de gelado por 10-20 minutos, aproximadamente, com o motor desligado. Antes de servi-lo, voltar a misturá-lo por alguns minutos de modo que readquira a correcta consistência e o aspecto amanteigado.

No congelador

É possível conservar (limitadamente) o gelado no congelador, Em qualquer caso, uma longa permanência no congelador certamente não favorece o sabor e a qualidade do gelado. Depois de 1-2 semanas a estrutura do gelado decai e acaba por perder-se o sabor de fresco. o gelado fresco tem um sabor mais agradável.

Mesmo assim, caso se quisesse conservar o gelado no congelador, deve-se observar as seguintes regras:

Conservar o gelado num recipiente para congelador, perfeitamente limpo e bem fechado.

A temperatura de conservação deve ser no mínimo de -18°C .

Grave sobre o recipiente a data da preparação e o tipo de gelado.

ATENÇÃO

O gelado é sensível às bactérias. Por esta razão é importante manter a máquina de gelado e os utensílios perfeitamente limpos e secos.

Nunca voltar a congelar o gelado descongelado o semi-congelado.

Deve-se retirar o gelado do congelador aproximadamente meia hora antes de servi-lo, colocado-o no frigorífico. Eventualmente, pode-se deixá-lo por uns 10/15 minutos em temperatura ambiente para obter a temperatura adapta para o seu consumo.

PERIODO DI CONSERVAZIONE

Gelado a base de ingredientes não cozidos: ± 1 semana

Sorvetes: 1-2 semanas

Gelado a base de ingredientes semi cozidos: ± 2 semanas

A LIMPEZA DO APARELHO

A higiene é a coisa mais importante a observar quando se faz o gelado.

Antes de proceder à limpeza da máquina de gelado, certificar-se que tenha sido retirada a ficha da tomada de corrente.

Para desengatar a tampa do motor de amanteigado, intervir no botão (C) de desengate da tampa, situado sob o corpo do motor (fig.4).

O cesto de refrigeração, a pá misturadora e a tampa podem ser lavados em água morna com detergente.

O cesto fixo deve ser lavado deitando água no cesto. Depois enxaguar e secar bem.

Não lavar nenhuma peça na lava-loiça.

O corpo do motor pode ser limpo com um pano húmido.

Não imergir o corpo do motor em água, nunca enxaguá-lo sob a torneira.

ATENÇÃO: Quando se utiliza o cesto extraível em alumínio, é extremamente importante limpar cuidadosamente as partes que entram em contacto com a parte salina, para evitar fenómenos de corrosão.

CONSELHOS ÚTEIS

- Algumas receitas precisam de cozedura prévia. Prepará-las pelo menos um dia antes para que se resfriem completamente e cresçam. Todavia é sempre aconselhado resfriar o preparado de base.
- Com os preparados frios têm-se resultados melhores batendo os ovos e o açúcar com um batedor eléctrico. Isto contribuirá para que o preparado se torne mais volumoso
- A maior parte dos preparados são o resultado de nata, leite, ovos e açúcar. Pode-se usar toda a nata que se quiser, mas o sabor e a consistência mudarão muito de acordo com a qualidade da nata escolhida. Maior será a percentagem de gorduras contida na nata, mais rico será o gelado. Por exemplo: a nata integral tem no mínimo 36% de gorduras, a nata batida o 30%, a nata para café ou a nata desnatada o 18% e metade nata + metade leite o 10%. Seja como for, o importante é manter sempre a mesma quantidade de líquido. Por exemplo, o gelado mais leve pode ser feito utilizando mais leite que nata, ou eliminando totalmente a nata. Pode-se utilizar também leite desnatado, mas haverá uma diferença relevante na consistência do gelado.
- O preparado para gelado pode ficar no frigorífico por vários dias. Deve-se movê-lo muito bem antes de o deitar no cesto.
- Deitar no cesto o preparado até enchê-lo somente pela metade; o preparado aumentará de volume durante a feitura.
- As bebidas alcoólicas retardam o processo de refrigeração. Portanto, é aconselhável acrescentar o licor nos últimos minutos da preparação.
- O sabor dos sorvetes dependerá muito do grau de maturação e da doçura da fruta e do sumo utilizado. Experimentar a fruta antes de a acrescentar à receita. Se for muito azeda, acrescentar açúcar; se for muito madura, colocar menos ou não colocar por nada açúcar. Lembrar-se que, em qualquer caso, o frio diminui o grau de doçura.
- Podem-se utilizar também adoçantes no lugar do açúcar. Neste caso, acrescentar o adoçante no preparado e misturar até que esteja perfeitamente dissolvido.
- Os preparados que foram aquecidos devem ser deitados no cesto somente quando estiverem perfeitamente frios.
- Caso se deseje tornar mais doce a receita durante a preparação, não acrescentar directamente o açúcar no interior do cesto (não se dissolve). Ao invés, é aconselhável dissolver o açúcar em pouca água ou leite desnatado e, em seguida, deitar o xarope assim obtido (resfriado) no cesto.
- A fruta utilizada para as receitas deve ser sempre lavada e secada antes de seu uso; para além disso, embora não esteja especificado, a fruta deve ser descascada, descaroçada, eliminadas as sementes, etc.
- Caso se desejasse diminuir as quantidades de gelado, podem-se fraccionar ou dividir pela metade as doses indicadas.
- Quando se utilizam ovos crus, certificar-se que os mesmos sejam frescos quebrando-os um por vez num recipiente e controlando que:

1. não tenha mau cheiro;
2. a clara não seja aquosa mas densa e que se ligue à gema;
3. a gema seja redonda e túmida. *do del tutto la panna. Si può utilizzare anche latte scremato, ma ci sarà una notevole differenza nella consistenza del gelato*

O QUE PODERIA NÃO FUNCIONAR?

Em condições normais a preparação do gelado não requer mais de 40 minutos.

No caso em que, depois de 40 minutos, o gelado ainda não estivesse formado, verificar todos os pontos que seguem antes de solicitar a intervenção de um centro de assistência autorizado:

- Os ingredientes devem ser deitados na máquina de gelado em temperatura ambiente ou, melhor ainda, em temperatura de frigorífico. Se os ingredientes forem quentes a preparação do gelado será impossível .
- Devido à presença de um dispositivo de segurança no compressor, no caso que se verificasse uma interrupção de corrente ou no caso que a máquina, por qualquer razão, fosse desligada e repentinamente ligada de novo, interrompe-se o funcionamento do dispositivo de refrigeração. Nestes casos será necessário deixar repousar o dispositivo por 5 minutos antes de voltar a ligá-lo. Se a pausa de 5 minutos não for respeitada, o funcionamento não recomeça embora o botão de refrigeração esteja em posição ON e a respectiva luz piloto esteja acesa.
- Recomenda-se vivamente verificar todos os pontos referidos acima antes de solicitar a intervenção de um centro de assistência autorizado. No caso que o centro de assistência não encontrasse anomalias no funcionamento de máquina, as despesas originadas desta verificação correrão por conta do usuário.

GELADO DE CENOURA

INGREDIENTES: 250 g. de açúcar, 1,3 kg de cenouras tenras, 1 limão, 4 dl de nata a bater

Raspe e lave as cenouras, coloque-as em uma centrífuga e extraia o seu sumo. Transfira-o em uma caçarola, dilua-o com um decilitro de água e ponha-o em fogo brando unindo o açúcar e o sumo de limão.

Faça cozinhar por 5 minutos, evitando que o composto alcance a fervura, em seguida, retire-o do fogo e deixe esfriar. A este ponto acrescente também a nata, misture bem e, depois disto, coloque o composto no frigorífico para que se esfrie. Em seguida, deite a mistura na máquina de gelado e faça funcionar por 30 minutos, aproximadamente.

GELADO DE CHÁ

INGREDIENTES: 4 colherinhas de chá, o sumo de 3 laranjas, 1/2 litro de nata líquida, 2 ovos, açúcar, 1/2 copo de água

Faça ferver a água, deite-a sobre o chá e deixe em infusão por 3 minutos. Filtre, deixe esfriar e coloque no frigorífico. Bata energicamente com uma batedeira o extracto de chá bem frio junto com a nata líquida, o sumo de laranja e as gemas de ovo. Quando o composto estiver perfeitamente amalgamado, deite-o na máquina de gelado, pondo-a em funcionamento por 30 minutos, aproximadamente.

GELADO DE TORRONE

INGREDIENTES: 30 g. de cidra cristalizada, 40 g. de abóbora vermelha cristalizada, 30 g. de amêndoas doces, 20 g. de pistaches, 250 g. de açúcar, 1 dl de leite, 4 gemas de ovo, 1 saquinho de açúcar com baunilha.

Prepare um creme com o leite, o açúcar refinado e aquele com baunilha, as gemas de ovo. Quando o composto se apresentará espumoso, acrescente os pistaches, as amêndoas, a cidra e a abóbora em pedacinhos. Amalgame bem o todo e deite na máquina de gelado colocando-a em funcionamento por 30-40 minutos, aproximadamente.

GELADO DE TÂMARAS

INGREDIENTES: 200 g. de tâmaras, 200 g. de leite, 150 g. de nata líquida, 1 colher de malte de cevada

Em primeiro lugar, tire os caroços das tâmaras e libere-as das cascas que se soltam com maior facilidade. Esmiúce finamente, acrescente o malte de cevada e dilua com o leite e a nata. Amalgame bem, em seguida, deite na máquina de gelado, colocando-a em funcionamento por 30 minutos, aproximadamente. Este procedimento é indicado também para preparar um gelado a base de damascos ou de ameixas secas.

GELADO DE ARROZ E UVA PASSA

INGREDIENTES: 150 g. de arroz semimanufacturado, 50 g. de uva passa, 1/2 l de leite, 2 colheres de mel, 1 barra de baunilha, 1 picada de sal, o sumo e a casca de um limão, a casca de uma laranja.

Cozinhe o arroz no leite junto com a uva passa e a baunilha. Leve à fervura, salgue, mantenha uma chama preferentemente branda e faça cozer até quando o leite resulte completamente absorvido. Retire a baunilha e deixe esfriar. Rale a casca do limão e da laranja e extraia o sumo do limão. Acrescente o mel ao arroz esfriado. Bata todos os ingredientes e, em seguida, deite-os na máquina de gelado colocando-a em funcionamento por 30 minutos, aproximadamente.

GELADO DE CASTANHAS

INGREDIENTES: 250 g. de polpa de castanhas, 250 g. de leite, 100 g. de nata, 1 ovo, 2 colheres de mel, uma pitada de sal

Para extrair a polpa, tire a casca externa das castanhas, pese-as e, em seguida, escale-as em água fervente por alguns minutos, para poder retirar a película com maior facilidade. Ao invés, se usa as castanhas secas, coloque-as previamente num banho de água fria por uma noite inteira de modo que fiquem bem macias, em seguida, coe-as. Deite o leite e a nata em uma caçarola, leve à fervura, acrescente as castanhas, salgue levemente e deixe cozinhar lentamente por uma hora, aproximadamente. Quando as castanhas estiverem bem cozidas, reduza-as em creme usando um espremedor de batatas ou um passador de verduras, se for o caso, acrescentando leite para dar a correcta consistência. A este ponto adicione também o mel e misture energicamente, ou bata por alguns instantes para homogeneizar o todo. Quando o composto estiver bem esfriado, deite na máquina de gelado e coloque-a em funcionamento por 30 minutos, aproximadamente.

SORVETE DE FIGO

INGREDIENTES: 500 g. de figos maduros, 50 g. de açúcar de cana, 100 g. de leite, o sumo de 1/2 limão

Tire a casca dos figos. Bata os figos com o açúcar, o leite e o sumo de limão. Deite o todo na máquina de gelado e faça funcionar até obter a consistência desejada.

SORVETE DE MELANCIA

INGREDIENTES: 500 g. de polpa de melancia, 100 g. de açúcar, 100 g. de água, 100 g. de nata líquida, sumo de limão

Corte a polpa de melancia em pedacinhos eliminando todas as sementes e buscando recolher o sumo, em seguida bata-a junto com o sumo de limão. Separadamente, prepare o xarope levando à fervura, por alguns minutos, o açúcar dissolvido em água e em algumas colheres de sumo de melancia. Deixe o xarope esfriar. Monte a nata. Misture todos os ingredientes adicionando a fruta e o xarope à nata, prestando atenção para não deixá-la desmontar. Deite o todo na máquina de gelado e faça-a funcionar até obter a consistência desejada.

SORVETE DE FRAMBOESA

INGREDIENTES: 500 g. de framboesas maduras, 100 g. de açúcar, 150 g. de água, 1 clara de ovo, sumo de limão

Lave rapidamente e delicadamente as framboesas sob um leve jacto de água corrente. Deixe escorrer a água e cubra-os com o sumo de limão adoçado com um pouco de açúcar. No ínterim prepare o xarope fazendo ferver em uma caçarola a água e o açúcar por 10 minutos, aproximadamente. Deixe esfriar e, em seguida, bata todos os ingredientes antes de deitá-los na máquina de gelado.

SORVETE DE KIWI

INGREDIENTES: 500 g. de kiwis maduros, 50 g. de açúcar, o sumo de limão

Descasque e corte em fatias os kiwis. Bata por alguns minutos os kiwis com o açúcar e o sumo de limão. Deite na máquina de gelado e faça funcionar até obter a consistência desejada.

SORVETE DE TANGERINA

INGREDIENTES: 4 tangerinas maduras, 1 laranja, 150 g. de açúcar, 250 g. de água, 200 g. de nata líquida.

Antes de tudo, prepare o xarope levando à fervura em uma caçarola a água e o açúcar por 10 minutos, aproximadamente. Quando estiver ainda quente, acrescente a casca da laranja ralada e deixe esfriar. No ínterim exprima as tangerinas e meia laranja e acrescente o sumo ao xarope esfriado. Misturando com cuidado adicione a nata batida e deite o composto na máquina de gelado colocando-a em funcionamento até obter a consistência desejada.

GELADOS ESPUMOSOS (SPUMONI)

Os gelados espumosos (*spumoni*) são gelados particularmente leves e "espumosos" que acrescentam nata batida ou claras em neve aos ingredientes utilizados. Os gelados espumosos (*spumoni*) podem ser postos a esfriar em formas de tamanhos diversos ou entre dois biscoitos, como sugerido pela mais clássica tradição.

GELADO ESPUMOSO DE NOZES CARAMELADAS

INGREDIENTES: 2/3 de chávena de nozes picadas, 185 g. de açúcar, 1/2l de leite, 3 gemas de ovo, 1 chávena de nata batida, 1/2 barra de baunilha.

Abra a baunilha e use-a para aromatizar o leite. Prepare um creme macio e liso levando à fervura em banho-maria as gemas, o leite, um terço do açúcar e uma picada de sal; no fim retire a barra de baunilha. Separadamente, reduza a caramelo o restante do açúcar, acrescente as nozes e, em seguida, deite tudo sobre uma tigela espalmada com manteiga, na qual deixará esfriar pacientemente o composto. Uma vez frio e bem solidificado, esmiuça-o e moa com o batedor. Acrescente os quebrados de caramelo ao creme preparado anteriormente, misture bem com uma colher de madeira e, em seguida, acrescente com delicadeza a nata batida. Deite o composto na máquina de gelado e coloque-a em funcionamento por 30 minutos, aproximadamente.

GELADO ESPUMOSO (SPUMONE) DE CHOCOLATE

INGREDIENTES: 75 g. de chocolate amargo, 185 g. de açúcar, 4 chávenas de nata batida, 1 colherinha de baunilha, sal.

Dissolva o chocolate em três quartos de chávena de água fervente e acrescente-o à nata. Amalgame com cuidado também o açúcar, uma pitada de sal e a baunilha e deite o composto na máquina de gelado, colocando-a em funcionamento por 30 minutos, aproximadamente.

GELADO ESPUMOSO (SPUMONE) DE CEREJAS

INGREDIENTES: 500 g. de cerejas em xarope sem caroços, 4 ovos, 300 g. de açúcar, 250 g. de leite, 1 barra de baunilha.

Em uma tigela bata três gemas de ovo com um terço do açúcar até obter um composto macio e cremoso. No ínterim, aqueça o leite aromatizando-o com a barra de baunilha (que, em seguida, será retirada) e deite-o pouco por vez amalgamando-o às gemas com o açúcar. Faça cozinhar o composto de ovos em banho-maria até quando ficar bem denso, em seguida, sem deixar de misturar, passe o composto em um recipiente com gelo e faça esfriar. Depois disto, prepare um xarope fazendo derreter a outra parte do açúcar com 4-5 colheres de água e leve à fervura, retirando em seguida do fogo. Bata as claras em neve bem firme, em seguida acrescente, deitando em fio, o xarope de açúcar, continuando a misturar energeticamente até obter um composto macio que adicionará ao creme de ovos, misturando com delicadeza de baixo para o alto de modo que não desmonte. A este ponto separe as cerejas do xarope de conservação e pique aproximadamente a metade adicionando-as em seguida ao composto preparado. Misture e faça adensar levemente na máquina de gelado, em seguida deite o gelado no tanque de gelo resfriado pondo-o no congelador ao menos por 4 horas.

GELADO ESPUMOSO (SPUMONE) DE MORANGOS

INGREDIENTES: 500 g. de morangos, 370 g. de açúcar limão, 1 chávena de nata líquida, sal.

Lave os morangos, cubra de açúcar e deixe repousar por 2 horas. Em seguida, passe-os por uma peneira fina e acrescente uma pitada de sal. Coloque no congelador a nata até obter a densidade de uma espuma, em seguida, adicione, um pouco por vez, o sumo de morangos. Deite o todo na máquina de gelado e coloque-a em funcionamento por 30 minutos, aproximadamente.

ΣΗΜΑΝΤΙΚΕΣ ΠΡΟΕΙΔΟΠΟΙΗΣΕΙΣ

Κατά τη διάρκεια της λειτουργίας των ηλεκτρικών συσκευών, είναι απαραίτητο να δίνετε προσοχή στους διάφορους κανονισμούς ασφαλείας και ειδικότερα στα ακόλουθα:

1. Διαβάστε προσεκτικά τις οδηγίες χρήσεως πριν από την εγκατάσταση ή τη χρήση της συσκευής.
2. Μη βυθίζετε το μοτέρ σε νερό ή σε άλλα υγρά. Κίνδυνος Ηλεκτροπληξίας.
3. Μην επιτρέπετε τη χρήση της συσκευής σε άτομα (ακόμα και παιδιά) με μειωμένες ψυχοφυσικές ικανότητες ή με ανεπαρκή εμπειρία, εκτός εάν επιβλέπονται με προσοχή και εκπαιδεύονται από έναν υπεύθυνο για τη σωματική ακεραιότητά τους. Παρακολουθείτε τα παιδιά και βεβαιωθείτε ότι δεν παίζουν με τη συσκευή.
4. Αποσυνδέετε τη συσκευή από το ρεύμα όταν δε χρησιμοποιείτε, πριν από τον καθαρισμό της ή από την αποσυναρμολόγηση της.
5. **Το καλώδιο τροφοδοσίας αυτής της συσκευής δεν πρέπει να αντικατασταθεί από τον καταναλωτή γιατί η αντικατάσταση θέλει ειδικά κλειδιά.**
Σε περίπτωση βλάβης του καλωδίου, απευθυνθείτε αποκλειστικά σε ένα Κέντρο Τεχνικών Επισκευών, εξουσιοδοτημένο από τον κατασκευαστή.
6. Μην αγγίζετε τα κινούμενα μέρη. Για να αποφύγετε ατυχήματα ή βλάβες στην συσκευή, μην αγγίζετε με τα χέρια και μην πλησιάζετε μαλλιά, υφάσματα, σπάτουλες ή άλλα αντικείμενα κατά τη διάρκεια την οποία λειτουργεί η συσκευή. ΜΗ ΧΡΗΣΙΜΟΠΟΙΕΙΤΕ ΚΟΦΤΕΡΑ ΑΝΤΙΚΕΙΜΕΝΑ Η ΕΡΓΑΛΕΙΑ ΣΤΟ ΕΣΩΤΕΡΙΚΟ ΤΟΥ ΔΟΧΕΙΟΥ ΨΥΞΗΣ. Θα μπορούσαν να γδάρουν ή να φθείρουν το εσωτερικό του δοχείου. Μπορείτε να χρησιμοποιήσετε ή μια λαστιχένα σπάτουλα ή ένα ξύλινο κουτάλι όταν η συσκευή βρίσκεται εκτός λειτουργίας.
7. Μην χρησιμοποιείτε τη συσκευή εάν το καλώδιο τροφοδοσίας της ή ο ρευματολήπτης της είναι φθαρμένοι, ή εάν τύχει να παρατηρήσετε κάποια ανωμαλία στην λειτουργία της ή κατόπιν τυχαίας πτώσης της ή βλάβης οποιασδήποτε φύσης. Υπό αυτές της περιπτώσεις συμβουλευτείτε ή άμεση μεταφορά της συσκευής στο πλησιέστερο Εξουσιοδοτημένο Κέντρο Τεχνικής Υποστήριξης για τις αναγκαίες επισκευές.
8. Η χρήση εξαρτημάτων τα οποία δεν έχουν σχεδιαστεί ειδικά για αυτήν τη συσκευή μπορούν να αποβούν αίτιο πυρκαγιάς ή ηλεκτροπληξίας.
9. Μην χρησιμοποιείτε αυτήν τη συσκευή σε ανοιχτούς ή ασκέπαστους χώρους.
10. Μην αφήνετε το καλώδιο τροφοδοσίας να εκτείνεται πέρα από τα άκρα του τραπεζιού ή του επίπεδου όπου βρίσκεται η συσκευή και δώστε προσοχή ώστε το καλώδιο να μην έρχεται σε επαφή με θερμές εστίες.
11. Η συσκευή αυτή είναι σχεδιασμένη για οικιακή χρήση. Για οποιαδήποτε εργασία επισκευής ή συντήρησης πέραν του καθαρισμού της, είναι απαραίτητο να πραγματοποιείτε από ένα Εξουσιοδοτημένο από τον κατασκευαστή Κέντρο Τεχνικής Υποστήριξης
12. Η συσκευή δεν πρέπει ΠΟΤΕ να στηρίζεται στο πλευρό ή αναποδογυρισμένη.
13. Χρησιμοποιείτε τη συσκευή μακριά από πηγές θερμότητας, σε απόσταση τουλάχιστον 20 cm. από τοίχους ή αντικείμενα που μπορούν να εμποδίσουν την ελεύθερη κυκλοφορία του αέρα.
14. Οποιαδήποτε επέμβαση συντήρησης που δεν αφορά το συνήθη καθαρισμό, πρέπει να εκτελείται από το εξουσιοδοτημένο Σέρβις του κατασκευαστή.
15. Η συσκευή πρέπει να συνδεθεί υποχρεωτικά σε εγκατάσταση με πρίζα ρεύματος ελάχιστης παροχής 5 A που διαθέτει αποτελεσματική επαφή γείωσης. Ο κατασκευαστής δεν υπεύθυνος για ενδεχόμενες βλάβες που οφείλονται σε απουσία γείωσης της εγκατάστασης. Σε περίπτωση αμφιβολίας συμβουλευθείτε εξειδικευμένο τεχνικό.
16. Τα υλικά και τα εξαρτήματα που έρχονται σε επαφή με τα τρόφιμα συμμορφώνονται με τον Κανονισμό της Ευρωπαϊκής Ένωσης 1935/2004. Αυτή η συσκευή συμμορφώνεται με τις απαιτήσεις της Οδηγίας περί Χαμηλής Ηλεκτρικής Τάσης 2006/95/ΕΧ και την Οδηγία περί Ηλεκτρομαγνητικής Συμβατότητας 2004/108/ΕΧ.
17. Αυτή η συσκευή είναι κατάλληλη για χρήση με 32 ° C max. θερμοκρασία περιβάλλοντος (κλιματική κλάση "N")

ΔΙΑΤΗΡΗΣΤΕ ΤΙΣ ΟΔΗΓΙΕΣ ΧΡΗΣΕΩΣ ΣΕ ΚΑΛΗ ΚΑΤΑΣΤΑΣΗ

ΠΕΡΙΓΡΑΦΗ

A Μοτέρ πτερυγίου μίξης	L Ηλεκτρικό καλώδιο
B Διακόπτης ON/OFF	M Κουμπί ανοίγματος καπακιού
C Κουμπί απασφάλισης καπακιού	N Ενδεικτική λυχνία
D Αποκλειστικό πτερύγιο μίξης	O Διακόπτης ψύξης
E Κύριο σώμα συσκευής	P Καπάκι
F Αφαιρούμενο δοχείο	Q Ανοιγμα καπακιού
G Μεζούρα	
H Σπάτουλα	
I Υποδοχή καλωδίου μοτέρ πτερυγίου	

ΛΕΙΤΟΥΡΓΙΑ

1. Συνδέστε το φως της συσκευής στην πρίζα του ρεύματος,
2. Πιέστε το διακόπτη ψύξης τουλάχιστον 5 λεπτά πριν προσθέσετε τα συστατικά,
3. Τοποθετήστε το καπάκι μαζί με το σώμα του μοτέρ πτερυγίου μίξης και ασφαλίστε το στη βάση,
4. Πιέστε το διακόπτη ON/OFF
5. Ρίξτε τα συστατικά.

Το παγωτό ετοιμάζεται σε χρόνο που κυμαίνεται από 20 έως 40 λεπτά.

Ο αναγκαίος χρόνος για την παραγωγή του παγωτού εξαρτάται από το είδος, τη θερμοκρασία και την ποσότητα των συστατικών, καθώς και από τη θερμοκρασία του περιβάλλοντος.

ΠΡΩΤΗ ΧΡΗΣΗ

ΣΗΜΑΝΤΙΚΟ: αφήστε τη συσκευή σε επίπεδη επιφάνεια και οριζόντια θέση τουλάχιστον 12 ώρες πριν την χρησιμοποιήσετε για πρώτη φορά.

- Εφαρμόστε την ίδια διαδικασία και στη συνέχεια, κάθε φορά που η συσκευή τοποθετείται σε μη οριζόντια θέση για οποιοδήποτε λόγο.
- Πριν τη χρήση, πλύνετε καλά όλα τα εξαρτήματα που έρχονται σε επαφή με το παγωτό, όπως το σταθερό δοχείο, το αφαιρούμενο δοχείο, το πτερύγιο και το διαφανές καπάκι.

ΠΡΟΕΤΟΙΜΑΣΙΑ ΤΟΥ ΜΙΓΜΑΤΟΣ

- Επιλέξτε μία συνταγή και ετοιμάστε τα συστατικά κατάλληλα αναμεμιγμένα. Προσοχή:
- Χρησιμοποιείτε φρούτα και συστατικά χωρίς τα μη βρώσιμα μέρη.
- Χρησιμοποιείτε τα συστατικά σε θερμοκρασία ψυγείου για να μειώσετε το χρόνο προετοιμασίας του παγωτού.
- Μην υπερβείτε τη συνολική ποσότητα των 800 gr του μίγματος για να επιτρέψετε τη σωστή αύξηση του όγκου.

ΠΡΟΕΤΟΙΜΑΣΙΑ ΤΟΥ ΠΑΓΩΤΟΥ

1. Τοποθετήστε τη συσκευή κοντά σε πρίζα ρεύματος, πάνω σε οριζόντια και σταθερή επιφάνεια.
2. Τοποθετήστε τη συσκευή έτσι ώστε να υπάρχει επαρκής χώρος γύρω από αυτήν, για να μην καλύπτονται οι γρίλιες αερισμού που βρίσκονται στα πλευρά.
3. Ελέγξτε αν η τάση που αναγράφεται στην πινακίδα χαρακτηριστικών αντιστοιχεί με την τάση του δικτύου.
4. Συνδέστε το φως στην πρίζα του ρεύματος.
5. Πιέστε το διακόπτη ψύξης (**O**) που βρίσκεται στο σώμα της συσκευής. Η ενδεικτική λυχνία (**N**)

- ανάβει υποδηλώνοντας τη λειτουργία του συστήματος ψύξης. Περιμένετε 5 λεπτά πριν ρίξετε τα συστατικά.
6. Εν τω μεταξύ ασφαλίστε το σώμα του μοτέρ στο καπάκι και τοποθετήστε το πτερύγιο ανάμιξης (εικ.1). Κλείστε τη συσκευή τοποθετώντας το συναρμολογημένο σύνολο (σώμα μοτέρ, καπάκι και πτερύγιο ανάμιξης) στο σώμα της συσκευής και στη συνέχεια γυρίστε το δεξιόστροφα έως ότου ασφαλίσει (εικ.2).
 7. Τοποθετήστε το φινι του σώματος μοτέρ πτερυγίου μίξης στην υποδοχή (I) που βρίσκεται στο σώμα της συσκευής.
 8. Μετά από 5 λεπτά θέστε σε λειτουργία το μοτέρ μίξης πιέζοντας το διακόπτη ON/OFF (B) και στη συνέχεια ρίξτε τα συστατικά από το άνοιγμα του καπακιού.
 9. Μη γεμίζετε το δοχείο πάνω από τη μέση. Κατά την επεξεργασία ο όγκος του μίγματος αυξάνεται.
 10. Χρησιμοποιείτε κατά προτίμηση συστατικά σε θερμοκρασία ψυγείου και ΠΟΤΕ ζεστά.
 11. Κατά τη διάρκεια της προετοιμασίας, μπορείτε να προσθέσετε από το άνοιγμα του καπακιού τριμμάτα σοκολάτας, σταφίδα και άλλα συστατικά. Τα αλκοολούχα πρέπει να προστίθενται μόνο στο τέλος της προετοιμασίας γιατί επιβραδύνουν σημαντικά την ψύξη. Ο όγκος του παγωτού αυξάνεται έως ότου γεμίσει το δοχείο στα τελευταία λεπτά της προετοιμασίας.
 12. Ο χρόνος προετοιμασίας μπορεί να κυμαίνεται από 20 έως 40 λεπτά, ανάλογα με την επιλεγμένη συνταγή, την ποσότητα και τη θερμοκρασία των συστατικών.

ΠΡΟΣΟΧΗ: αποφύγετε το κλείσιμο του διακόπτη ψύξης (O) πριν ολοκληρωθεί η προετοιμασία του παγωτού. Αν συμβεί αυτό, ή αν για οποιοδήποτε λόγο παρουσιαστεί διακοπή ρεύματος, το ειδικό σύστημα που διαθέτει ο συμπιεστής δεν επιτρέπει τη συνέχιση της ψύξης επί 5 λεπτά περίπου, με αποτέλεσμα την αποτυχία παραγωγής του παγωτού.

13. Όταν το παγωτό αποκτήσει ικανοποιητική πήξη, το πτερύγιο αντιστρέφει τη φορά περιστροφής υποδηλώνοντας ότι το παγωτό είναι έτοιμο. Η κίνηση αυτή δεν προκαλεί καμία βλάβη στο μοτέρ ή στο πτερύγιο, αλλά καλό είναι να ακινητοποιείτε το πτερύγιο.
14. Εάν θέλετε παγωτό με μεγαλύτερη πήξη, αφήστε αναμμένο το διακόπτη ψύξης (O) ακόμη για 5-10 λεπτά.
ΠΡΟΣΟΧΗ: θυμηθείτε να κλείσετε το διακόπτη ψύξης διαφορετικά το παγωτό μετατρέπεται σε κομμάτι πάγου.
15. Κλείστε το διακόπτη ON/OFF (B), αποσυνδέστε το φινι, βγάλτε το μοτέρ και το διαφανές καπάκι γυρνώντας αριστερόστροφα. Για να διευκολύνετε την εξαγωγή του παγωτού βγάλτε και το πτερύγιο (D).
16. Βγάλτε το παγωτό από το δοχείο χρησιμοποιώντας την ειδική σπάτουλα (H) του εξοπλισμού, ή, αντί αυτής, ένα πλαστικό ή ξύλινο κουτάλι, για να αποφύγετε ζημιές στα τοιχώματα ή στον πυθμένα του δοχείου.
17. Λίγα λεπτά μετά την εξαγωγή του παγωτού, όταν το δοχείο δεν είναι πολύ παγωμένο, καθαρίστε το από τα υπολείμματα παγωτού με ένα υγρό πανί ή με χαρτί κουζίνας και στη συνέχεια σκουπίστε το καλά.

ΧΡΗΣΗ ΤΟΥ ΑΦΑΙΡΟΥΜΕΝΟΥ ΔΟΧΕΙΟΥ

Για να χρησιμοποιήσετε το αφαιρούμενο δοχείο, ενεργήστε ως εξής.

Αδειάστε στο σταθερό δοχείο μια μεζούρα οινόπνευμα ή άλλο δυνατό αλκοολούχο (τσίπουρο, κονιάκ). Μια μεζούρα είναι 25 ml. Διαφορετικά μπορείτε να χρησιμοποιήσετε διάλυμα νερού και άλατος (5 gr αλάτι διαλυμένα σε 20 ml νερού). Τοποθετήστε στη συνέχεια το αφαιρούμενο δοχείο (F) στο σταθερό δοχείο και προσαρμόστε το καλά.

Είναι πολύ σημαντικό να γίνει σωστά η τοποθέτηση για να επιτραπεί η σωστή μετάδοση του ψύχους από το σταθερό στο αφαιρούμενο δοχείο και κατά συνέπεια να πετύχει το παγωτό.

Ασφαλίστε το σώμα του μοτέρ στο καπάκι και τοποθετήστε το πτερύγιο μίξης (εικ.1).

Κλείστε τη συσκευή τοποθετώντας το συναρμολογημένο σύνολο (σώμα μοτέρ, καπάκι και

περὺγιο ανάμιξης) στο σώμα της συσκευής, έτσι ώστε να συμπέσει η υποδοχή στο διαφανές καπάκι με το γάντζο της λαβής στο αφαιρούμενο δοχείο (εικ.3) και στη συνέχεια γυρίστε δεξιόστροφα έως ότου ασφαλίσει.

Πιέστε το διακόπτη ψύξης (O), περιμένετε περίπου 5 λεπτά και προχωρήστε στην προετοιμασία του παγωτού όπως στην περίπτωση χρήσης του σταθερού δοχείου.

Όταν το παγωτό είναι έτοιμο, βγάλτε το καπάκι και το δοχείο. Στη συνέχεια καθαρίστε και σκουπίστε το σταθερό δοχείο από το αλατικό διάλυμα ή το οινόπνευμα.

Η ΔΙΑΤΗΡΗΣΗ ΤΟΥ ΠΑΓΩΤΟΥ

Στη μηχανή παγωτού

Όταν το παγωτό είναι έτοιμο, μπορείτε να το διατηρήσετε σκεπασμένο στη μηχανή παγωτού για 10-20 λεπτά περίπου με το μοτέρ σβηστό. Πριν το σερβίρετε, ανακατέψτε το πάλι για λίγα λεπτά για να αποκτήσει τη σωστή πήξη και ανάμιξη.

Στην κατάψυξη

Μπορείτε να φυλάξετε (για περιορισμένο χρόνο) το παγωτό στην κατάψυξη. Η μακρά παραμονή στην κατάψυξη δεν ευνοεί τη διατήρηση της γεύσης και της ποιότητας του παγωτού. Μετά από 1-2 εβδομάδες, το παγωτό χάνει τη συνοχή του και τη γεύση της φρεσκάδας. Το φρέσκο παγωτό έχει καλύτερη γεύση.

Σε περίπτωση που θέλετε να φυλάξετε το παγωτό στην κατάψυξη, ακολουθήστε τους παρακάτω κανόνες:

Φυλάξτε το παγωτό σε πολύ καθαρό και καλά κλειστό δοχείο για κατάψυξη.

Η θερμοκρασία συντήρησης πρέπει να είναι τουλάχιστον -18°C .

Σημειώστε στο δοχείο την ημερομηνία παρασκευής και τον τύπο του παγωτού.

ΠΡΟΣΟΧΗ

Το παγωτό είναι ευαίσθητο στα βακτήρια. Κατά συνέπεια η μηχανή και τα εργαλεία πρέπει να είναι πολύ καθαρά και στεγνά.

Μην ξαναπαγώνετε παγωτό που έλιωσε έστω και εν μέρει.

Βγάλτε το παγωτό από την κατάψυξη περίπου μισή ώρα πριν το σερβίρετε και βάλτε το στο ψυγείο. Μπορείτε να το αφήσετε 10/15 λεπτά σε θερμοκρασία περιβάλλοντος για να φτάσει στην κατάλληλη θερμοκρασία κατανάλωσης.

ΠΕΡΙΟΔΟΣ ΔΙΑΤΗΡΗΣΗΣ

Παγωτό χωρίς μαγειρεμένα συστατικά: ± 1 εβδομάδα

Γρανίτες: 1-2 εβδομάδες

Παγωτό με μαγειρεμένα συστατικά: ± 2 εβδομάδες

Η ΚΑΘΑΡΙΟΤΗΤΑ ΤΗΣ ΣΥΣΚΕΥΗΣ

Η υγιεινή είναι ο πιο σημαντικός παράγοντας όταν φτιάχνετε παγωτό.

Πριν καθαρίσετε τη μηχανή, ελέγξτε αν αποσυνδέσατε το φις από την πρίζα του ρεύματος.

Για να απασφαλίσετε το καπάκι από το μοτέρ ανάμιξης πιέστε το κουμπί απασφάλισης καπακιού (C) που βρίσκεται κάτω από το σώμα του μοτέρ (εικ.4).

Το δοχείο ψύξης, το περὺγιο μίξης και το καπάκι, μπορούν να πλυθούν σε χλιαρό νερό με απορρυπαντικό.

Μην πλένετε κανένα εξάρτημα σε πλυντήριο πιάτων.

Το σώμα του μοτέρ μπορεί να καθαριστεί με ένα υγρό πανί.

Μη θυθίζετε το μοτέρ σε νερό και μην το ξεπλένετε κάτω από τη θρύση.

ΠΡΟΣΟΧΗ: Όταν χρησιμοποιείτε το αφαιρούμενο δοχείο αλουμινίου, είναι σημαντικό να καθαρίζετε προσεκτικά όλα τα εξαρτήματα που έρχονται σε επαφή με το αλατικό διάλυμα, για να αποφύγετε φαινόμενα διάβρωσης.

ΧΡΗΣΙΜΕΣ ΣΥΜΒΟΥΛΕΣ

- Ορισμένες συνταγές προβλέπουν το μαγείρεμα των συστατικών. Προετοιμάστε τα συστατικά τουλάχιστον μια ημέρα πριν για να κρυσώσουν εντελώς και να φουσκώσουν. Σε κάθε περίπτωση συνιστάται να ψύχετε τα συστατικά.
- Με τα συστατικά κρύα, έχετε καλύτερα αποτελέσματα χτυπώντας τα αυγά και τη ζάχαρη με ηλεκτρικό μίξερ. Με τον τρόπο αυτό το μίγμα αποκτά περισσότερο όγκο.
- Στην πλειοψηφία τους, τα μίγματα αποτελούνται από κρέμα γάλακτος, γάλα, αυγά και ζάχαρη. Μπορείτε να χρησιμοποιήσετε όποια κρέμα γάλακτος θέλετε, αλλά η γεύση και η πήξη εξαρτώνται σε μεγάλο βαθμό από την ποιότητα της επιλεγμένης κρέμας γάλακτος. Όσο μεγαλύτερη είναι η περιεκτικότητα σε λιπαρά της κρέμας γάλακτος, τόσο πιο κρεμώδες θα είναι το παγωτό. Για παράδειγμα: η πλήρης κρέμα έχει τουλάχιστον 36% λιπαρά, η σαντιγί έχει 30%, η κρέμα για καφέ και η αποβουτυρωμένη 18% και το μίγμα με ίση ποσότητα γάλακτος 10%. Σε κάθε περίπτωση, το βασικό είναι διατηρείτε πάντοτε σταθερές τις ποσότητες του υγρού. Για παράδειγμα, το πιο ελαφρύ παγωτό παράγεται χρησιμοποιώντας περισσότερο γάλα από κρέμα ή χωρίς καθόλου κρέμα. Μπορείτε να χρησιμοποιήσετε και αποβουτυρωμένο γάλα, αλλά θα υπάρχει σημαντική διαφορά στην πήξη του παγωτού.
- Το μίγμα για το παγωτό μπορεί να παραμείνει στο ψυγείο για πολλές ημέρες. Ανακινήστε καλά πριν το ρίξετε στο δοχείο ψύξης.
- Γεμίστε το δοχείο με το μίγμα μόνο μέχρι τη μέση. Ο όγκος του μίγματος αυξάνει κατά την επεξεργασία.
- Τα οινοπνευματώδη επιβραδύνουν την ψύξη. Συνιστάται να προσθέσετε τα οινοπνευματώδη στα τελευταία λεπτά της επεξεργασίας.
- Η γεύση της γρανίτας εξαρτάται πολύ από το βαθμό ωρίμανσης και από τη γλυκύτητα των φρούτων και του χυμού. Δοκιμάστε τα φρούτα πριν τα προσθέσετε στη συνταγή. Αν είναι πολύ ξινά, προσθέστε ζάχαρη. Αν είναι πολύ ώριμα, βάλτε λιγότερη ή καθόλου ζάχαρη. Σημειώστε ότι το κρύο μειώνει το βαθμό γλυκύτητας.
- Μπορείτε να χρησιμοποιήσετε γλυκαντικά αντί για ζάχαρη. Στην περίπτωση αυτή, προσθέστε το γλυκαντικό στο μίγμα και ανακατέψτε έως ότου λειώσει.
- Τα μίγματα που έχουν θερμανθεί, πρέπει να τοποθετούνται στο δοχείο μόνον αφού κρυσώσουν εντελώς.
- Αν θέλετε να κάνετε πιο γλυκιά τη συνταγή κατά την προετοιμασία, μην προσθέσετε ζάχαρη απευθείας στο δοχείο (δεν διαλύεται). Συνιστάται να λειώνετε τη ζάχαρη σε λίγο νερό ή αποβουτυρωμένο γάλα και στη συνέχεια να την αδειάζετε (κρύα) στο δοχείο.
- Τα φρούτα που χρησιμοποιείτε για τις συνταγές πρέπει να είναι πάντα πλυμένα και στεγνά πριν τη χρήση. Επίσης, ακόμη κι αν δεν αναφέρεται, τα φρούτα πρέπει να είναι καθαρισμένα, ξεφλουδισμένα, χωρίς κουκούτσια κλπ.
- Αν θέλετε να φτιάξετε λιγότερο παγωτό, περιορίστε τις ενδεδαιγμένες δόσεις.
- Όταν χρησιμοποιείτε ωμά αυγά, για να ελέγξετε αν είναι φρέσκα, σπάστε τα ένα-ένα σε ένα δοχείο και βεβαιωθείτε ότι:
 1. δεν έχουν δυσάρεστη οσμή
 2. το ασπράδι δεν είναι νεροούλο αλλά πυκνό και κολλημένο στον κρόκο
 3. ο κρόκος είναι στρογγυλός και πηχτός

ΤΙ ΜΠΟΡΕΙ ΝΑ ΜΗ ΛΕΙΤΟΥΡΓΕΙ;

Σε ομαλές συνθήκες οι προετοιμασία του παγωτού δεν απαιτεί περισσότερο από 40 λεπτά.

Σε περίπτωση που μετά από 40 λεπτά το παγωτό δεν έχει σχηματιστεί ακόμη, ελέγξτε όλα τα σημεία που ακολουθούν πριν ζητήσετε την επέμβαση του εξουσιοδοτημένου Σέρβις:

- Τα συστατικά πρέπει να τοποθετούνται στη μηχανή παγωτού σε θερμοκρασία περιβάλλοντος ή, ακόμα καλύτερα, σε θερμοκρασία ψυγείου. Αν τα συστατικά είναι ζεστά η προετοιμασία του παγωτού είναι αδύνατη.
- Το δοχείο δεν πρέπει να γεμίζει πάνω από το μισό της χωρητικότητάς του (μέγιστη ποσότητα συστατικών 800 gr.). Αν η ποσότητα των συστατικών είναι πολύ μεγάλη, ο χρόνος που απαιτείται για την παραγωγή του παγωτού αυξάνει σημαντικά και το αποτέλεσμα μπορεί να μην είναι ικανοποιητικό.
- Εξαιτίας της παρουσίας ενός συστήματος ασφαλείας στο συμπιεστή, αν παρουσιαστεί διακοπή ρεύματος ή αν για οποιοδήποτε λόγο σβήσει η μηχανή και ξανανάψει αμέσως, η λειτουργία του συστήματος ψύξης διακόπτεται. Στις περιπτώσεις αυτές πρέπει να αφήσετε το σύστημα σε ανάπαυση για 5 λεπτά πριν το θέσετε πάλι σε λειτουργία. Αν η παύση των 5 λεπτών δεν τηρηθεί, η λειτουργία δεν αποκαθίσταται έστω και αν ο διακόπτης ψύξης βρίσκεται στη θέση ON και η ενδεικτική λυχνία είναι αναμμένη.

Συνιστάται να ελέγχετε όλα τα παραπάνω σημεία πριν ζητήσετε την επέμβαση του εξουσιοδοτημένου Σέρβις. Εάν το Σέρβις δεν εντοπίσει ανωμαλίες λειτουργίας της συσκευής, τα έξοδα του ελέγχου βαρύνουν τον πελάτη.

ΠΑΓΩΤΟ ΚΑΡΩΤΟ

ΣΥΣΤΑΤΙΚΑ: 250gr. ζάχαρη, 1,3 kg τρυφερά καρώτα, 1 λεμόνι, 4 dl κρέμα γάλακτος

Καθαρίστε και πλύνετε τα καρώτα, βάλτε τα στον αποχυμωτή και στύψτε τα. Βάλτε το χυμό σε μία κατασρόλα, αραιώστε τον με 100 ml νερού και βάλτε την σε χαμηλή φωτιά προσθέτοντας τη ζάχαρη και το χυμό λεμονιού. Αφήστε την για 5 λεπτά, αποφεύγοντας το βρασμό του μίγματος, βγάλτε την κατασρόλα από τη φωτιά και αφήστε το μίγμα να φτάσει σε χλιαρή θερμοκρασία. Στο σημείο αυτό προσθέστε την κρέμα γάλακτος, ανακατέψτε καλά και βάλτε το μίγμα στο ψυγείο για να κρυώσει. Ρίξτε στη συνέχεια το μίγμα στη μηχανή παγωτού και αφήστε την να λειτουργήσει επί 30 λεπτά περίπου.

ΠΑΓΩΤΟ ΜΕ ΤΣΑΪ

ΣΥΣΤΑΤΙΚΑ: 4 κουταλάκια τσάι, χυμός από 3 πορτοκάλια, 1/2 λίτρο κρέμα γάλακτος, 2 αυγά, ζάχαρη, 1/2 ποτήρι νερό

Αφήστε το νερό να βράσει, ρίξτε το τσάι και αφήστε το να βράσει για 3 λεπτά. Σουρώστε το, αφήστε το να κρυώσει και βάλτε το στο ψυγείο. Ανακατέψτε καλά με ένα μπλέντερ το εκχύλισμα τσαγιού κρύο μαζί με την κρέμα γάλακτος, το χυμό πορτοκαλιού και τους κρόκους των αυγών. Όταν το μίγμα είναι ομοιογενές, ρίξτε το στη μηχανή παγωτού και αφήστε την να λειτουργήσει επί 30 λεπτά περίπου.

ΠΑΓΩΤΟ ΚΑΣΤΑΝΟ

ΣΥΣΤΑΤΙΚΑ: 250gr. καθαρισμένα κάστανα, 250gr. γάλα, 100gr. κρέμα γάλακτος, 1 αυγό, 2 κουταλιές μέλι, λίγο αλάτι

Για να καθαρίσετε τα κάστανα, βγάλτε την εξωτερική φλούδα, ζυγίστε τα και στη συνέχεια ρίξτε τα σε βραστό νερό για λίγα λεπτά για να βγάλετε ευκολότερα τη φλούδα. Αν χρησιμοποιήσετε Ξερά κάστανα, αφήστε τα πρώτα να μουλιάσουν σε κρύο νερό για μια ολόκληρη νύχτα ώστε να μαλακώσουν και στη συνέχεια σουρώστε τα. Ρίξτε το γάλα και την κρέμα γάλακτος σε μία κατασρόλα, αφήστε τα να βράσουν, προσθέστε τα κάστανα, αλατίστε ελαφρά και αφήστε να βράσουν αργά για μια ώρα περίπου. Όταν τα κάστανα είναι έτοιμα, λειώστε τα με έναν πολτοποιητή, προσθέτοντας ενδεχομένως γάλα για να γίνουν κρέμα. Στο σημείο αυτό προσθέστε το μέλι και ανακατέψτε καλά ή χτυπήστε τα ελαφρά στο μπλέντερ για να γίνει το μίγμα ομοιογενές. Όταν το μίγμα κρυώσει, ρίξτε το στη μηχανή παγωτού και αφήστε την να λειτουργήσει επί 30 λεπτά περίπου.

ΠΑΓΩΤΟ ΜΕ ΧΟΥΡΜΑΔΕΣ

ΣΥΣΤΑΤΙΚΑ: 200gr. χουρμάδες, 200gr. γάλα, 150gr. κρέμα γάλακτος, 1 κουτάλι βύνης κριθαριού

Βγάλτε τα κουκούτσια από τους χουρμάδες και καθαρίστε τις φλούδες που βγαίνουν εύκολα. Κόψτε τους σε λεπτά κομματάκια, προσθέστε το κριθάρι και διαλύστε με το γάλα και την κρέμα γάλακτος. Ανακατέψτε καλά, ρίξτε τα στη μηχανή παγωτού και αφήστε την να λειτουργήσει επί 30 λεπτά περίπου. Η διαδικασία αυτή είναι κατάλληλη και για την προετοιμασία παγωτού με βερικόκο ή Ξερά δαμάσκηνα.

ΠΑΓΩΤΟ ΜΕ ΡΥΖΙ ΚΑΙ ΣΤΑΦΙΔΕΣ

ΣΥΣΤΑΤΙΚΑ: 150gr. ημικατεργασμένου ρυζιού, 50 gr. σταφίδες, 1/2 l γάλα, 2 κουτάλια μέλι, 1 ράβδο βανίλια, λίγο αλάτι, το χυμό και τη φλούδα ενός λεμονιού, τη φλούδα ενός πορτοκαλιού.

Βράστε το ρύζι στο γάλα μαζί με τη σταφίδα και τη βανίλια. Αφήστε το να βράσει, αλατίστε, κρατήστε τη φωτιά χαμηλή και αφήστε το να βράσει έως ότου απορροφήσει όλο το γάλα. Βγάλτε τη βανίλια και αφήστε το ρύζι να κρυώσει. Τρίψτε τη φλούδα του λεμονιού και του πορτοκαλιού και στύψτε το λεμόνι. Προσθέστε στο κρύο ρύζι το μέλι. Χτυπήστε όλα τα συστατικά στο μπλέντερ, ρίξτε τα στη μηχανή παγωτού και αφήστε την να λειτουργήσει επί 30 λεπτά περίπου.

ΠΑΓΩΤΟ ΜΕ ΑΜΥΓΔΑΛΑ

ΣΥΣΤΑΤΙΚΑ: 30gr. ζαχαρωτό κίτρου, 40gr. ζαχαρωτό κόκκινης κολοκύθας, 30gr. γλυκά αμύγδαλα, 20gr. κελυφωτό φιστίκι, 250gr. ζάχαρη, 100 ml γάλα, 4 κρόκοι αυγών, 1 φακελάκι ζάχαρη άχνη

Προετοιμάστε μια κρέμα με το γάλα, τη ζάχαρη, την άχνη, και τους κρόκους. Όταν το μίγμα είναι αφρώδες, προσθέστε το κελυφωτό φιστίκι, τα αμύγδαλα, το κίτρο και την κολοκύθα σε κομματάκια. Ανακατέψτε καλά, ρίξτε τα στη μηχανή παγωτού και αφήστε την να λειτουργήσει επί 30-40 λεπτά περίπου.

ΚΑΪΜΑΚΙ

Το καϊμάκι είναι πολύ ελαφρύ και "αφρώδες" παγωτό "sprumosi", που ανάμεσα στα συστατικά τους περιέχουν σαντιγί ή τριμμένα μαρέγκα. Το καϊμάκι μπορεί να παγώσει σε φόρμες διαφόρων σχημάτων ή ανάμεσα σε δύο μπισκότα, σύμφωνα με την κλασική συνταγή.

ΚΑΪΜΑΚΙ ΜΕ ΚΑΡΥΔΙΑ ΚΑΡΑΜΕΛΕ

ΣΥΣΤΑΤΙΚΑ: 2/3 του φλιτζανιού τριμμένα καρύδια, 185gr. ζάχαρη, 1/2l γάλα, 3 κρόκοι αυγών, 1 σαντιγί, 2 ράβδος βανίλιας.

Ανοιξτε τη βανίλια και χρησιμοποιήστε την για να αρωματίσετε το γάλα. Προετοιμάστε μια αφράτη και λεία κρέμα βράζοντας σε μπεν μαρι τους κρόκους, το γάλα, ένα τρίτο της ζάχαρης και λίγο αλάτι. Στο τέλος βγάλτε τη ράβδο της βανίλιας. Λειώστε χωριστά την υπόλοιπη ζάχαρη, προσθέστε τα καρύδια, ρίξτε τα σε βουτυρωμένα τηγάνι και αφήστε να κρυσώσουν καλά. Μόλις κρυσώσει και στερεοποιηθεί το μίγμα, κόψτε το σε κομμάτια και τρίψτε το στο μπλέντερ. Προσθέστε τα κομμάτια καραμελέ στην κρέμα που προετοιμάσατε προηγούμενως, ανακατέψτε καλά με ένα ξύλινο κουτάλι και προσθέστε τη σαντιγί. Αδειάστε το μίγμα στη μηχανή παγωτού και αφήστε την να λειτουργήσει επί 30 λεπτά περίπου.

ΚΑΪΜΑΚΙ ΜΕ ΣΟΚΟΛΑΤΑ

ΣΥΣΤΑΤΙΚΑ: 75gr κουβερτούρα, 185gr. ζάχαρη, 4 φλιτζάνια σαντιγί, 1 κουταλάκι βανίλια, αλάτι.

Λειώστε τη σοκολάτα σε τρία τέταρτα φλιτζανιού βραστό νερού και προσθέστε την στη σαντιγί. Ανακατέψτε καλά και τη ζάχαρη, λίγο αλάτι και τη βανίλια, ρίξτε το μίγμα στη μηχανή παγωτού και αφήστε την να λειτουργήσει επί 30 λεπτά περίπου.

ΚΑΪΜΑΚΙ ΜΕ ΚΕΡΑΣΙΑ

ΣΥΣΤΑΤΙΚΑ: 500gr. κεράσια χωρίς κουκούτσι σε σιρόπι, 4 αυγά, 300gr. ζάχαρη, 250 gr. γάλα, 1 ράβδος βανίλιας.

Σε μία γαβάθα χτυπήστε καλά τους τρεις κρόκους αυγών με ένα τρίτο της ζάχαρης έως ότου σχηματιστεί ένα μαλακό και κρεμώδες μίγμα. Εν τω μεταξύ ζεσάνετε το γάλα και αρωματίστε το με τη βανίλια (που θα βγάλετε στη συνέχεια) και ρίξτε το σιγά-σιγά ανακατεύοντας στους κρόκους με τη ζάχαρη. Αφήστε το μίγμα να βράσει σε μπεν μαρι έως ότου πυκνώσει, χωρίς να σταματήσετε να ανακατεύετε, ρίξτε το σε ένα δοχείο με πάγο και αφήστε το να κρυσώσει. Προετοιμάστε στη συνέχεια το σιρόπι διαλύοντας την υπόλοιπη ζάχαρη σε 4-5 κουταλιές νερού, αφήστε το να βράσει και βγάλτε το από τη φωτιά. Χτυπήστε τα ασπράδια για να φτιάξετε τη μαρέγκα και προσθέστε τα σιγά-σιγά στο σιρόπι, συνεχίζοντας να ανακατεύετε καλά έως ότου σχηματιστεί ένα αφράτο μίγμα που θα προσθέσετε στην κρέμα των αυγών, ανακατεύοντας απαλά από κάτω προς τα πάνω για να μην ξεφουσκώσει.

Στο σημείο αυτό, στραγγίστε τα κεράσια από το σιρόπι συντήρησης, ψιλοκόψτε τα μισά και προσθέστε τα στο μίγμα. Ανακατέψτε και αφήστε το μίγμα να πυκνώσει ελαφρά στη μηχανή, ρίξτε το στο κρύο δοχείο πάγου και βάλτε το στην κατάψυξη τουλάχιστον για 4 ώρες.

ΚΑΪΜΑΚΙ ΜΕ ΦΡΑΟΥΛΕΣ

ΣΥΣΤΑΤΙΚΑ: 500gr. φράουλες, 370gr. ζάχαρη λεμόνι, 1 φλιτζάνι κρέμα γάλακτος, αλάτι.

Πλύνετε τις φράουλες, πασπαλίστε τις με ζάχαρη και αφήστε τις έτσι για 2 ώρες. Περάστε τις από ψιλό κόσκινο και προσθέστε λίγο αλάτι. Βάλτε στην κατάψυξη την κρέμα γάλακτος έως ότου αποκτήσει πυκνότητα αφρού και προσθέστε σιγά-σιγά το χυμό φράουλας. Ρίξτε το μίγμα στη μηχανή παγωτού και αφήστε την να λειτουργήσει επί 30 λεπτά περίπου.

ΠΑΓΩΤΑ ΑΠΟ ΦΡΟΥΤΑ (SORBET)

SORBET ΑΠΟ ΣΥΚΑ

ΣΥΣΤΑΤΙΚΑ: 500gr. ώριμα σύκα, 50gr. ζάχαρη από ζαχαροκάλαμο, 100gr. γάλα, το χυμό μισού λεμονιού

Καθαρίστε τα σύκα. Χτυπήστε τα στο μπλέντερ με τη ζάχαρη, το γάλα και το χυμό λεμονιού. Ρίξτε το μίγμα στη μηχανή παγωτού και αφήστε την να λειτουργήσει έως την επιθυμητή πήξη.

SORBET ΑΠΟ ΚΑΡΠΟΥΖΙ

ΣΥΣΤΑΤΙΚΑ: 500gr. καθαρισμένο καρπούζι, 100 gr. ζάχαρη, 100gr. νερό, 100gr. κρέμα γάλακτος, χυμό λεμονιού

Κόψτε σε κομματάκια το καρπούζι αφαιρώντας όλα τα κουκούτσια και συγκεντρώνοντας το χυμό και στη συνέχεια χτυπήστε το στο μπλέντερ με το χυμό λεμονιού. Προετοιμάστε χωριστά το σιρόπι βράζοντας για λίγα λεπτά τη λειωμένη ζάχαρη σε νερό και σε λίγες κουταλιές χυμού καρπούζιου. Αφήστε το σιρόπι να κρυώσει. Χτυπήστε την κρέμα γάλακτος. Ανακατέψτε όλα τα συστατικά προσθέτοντας το φρούτο και το σιρόπι στην κρέμα γάλακτος προσεκτικά για να μην ξεφουσκώσει. Ρίξτε το μίγμα στη μηχανή παγωτού και αφήστε την να λειτουργήσει έως την επιθυμητή πήξη.

SORBET ΑΠΟ ΒΑΤΟΜΟΥΡΑ

ΣΥΣΤΑΤΙΚΑ: 500gr. ώριμα βατόμουρα, 100gr. ζάχαρη, 150gr. νερό, 1 ασπράδι αυγού, χυμό λεμονιού

Πλύνετε καλά και προσεκτικά τα βατόμουρα κάτω από τρεχούμενο νερό χωρίς πίεση. Στραγγίστε τα και καλύψτε τα με το χυμό λεμονιού όπου έχετε διαλύσει λίγη ζάχαρη. Εν τω μεταξύ προετοιμάστε το σιρόπι βράζοντας σε μία κατσαρόλα το νερό και τη ζάχαρη επί 10 λεπτά περίπου. Αφήστε το να κρυώσει και χτυπήστε όλα τα συστατικά στο μπλέντερ πριν τα ρίξετε στη μηχανή παγωτού.

SORBET ΑΠΟ ΑΚΤΙΝΙΔΙΟ

ΣΥΣΤΑΤΙΚΑ: 500gr. ώριμα ακτινίδια, 50gr. ζάχαρη, το χυμό ενός λεμονιού

Καθαρίστε και κόψτε σε φέτες τα ακτινίδια. Χτυπήστε στο μπλέντερ για λίγα λεπτά τα ακτινίδια με τη ζάχαρη και το χυμό λεμονιού. Ρίξτε το μίγμα στη μηχανή παγωτού και αφήστε την να λειτουργήσει έως την επιθυμητή πήξη.

SORBET ΑΠΟ ΜΑΝΤΑΡΙΝΙΑ

INGREDIENTI: 4 ώριμα μανταρίνια, 1 πορτοκάλι, 150gr. ζάχαρη, 250gr. νερό, 200gr. κρέμα γάλακτος.

Προετοιμάστε πρώτα το σιρόπι βράζοντας σε μία κατσαρόλα το νερό και τη ζάχαρη επί 10 λεπτά περίπου. Όταν είναι ακόμη ζεστό, προσθέστε την τριμμένη φλούδα του πορτοκαλιού και αφήστε το να κρυώσει. Εν τω μεταξύ στύψτε τα μανταρίνια και μισό πορτοκάλι και προσθέστε το χυμό στο κρύο σιρόπι. Ανακατεύοντας καλά προσθέστε τη σαντιγί, ρίξτε το μίγμα στη μηχανή παγωτού και αφήστε την να λειτουργήσει έως την επιθυμητή πήξη.

МЕРЫ ПРЕДОСТОРОЖНОСТИ

При эксплуатации электроприборов необходимо относиться с повышенным вниманием к нормам безопасности и в частности:

1. До установки и эксплуатации прибора внимательно ознакомьтесь с инструкциями.
2. Не погружать мотор в воду или другие жидкости - возможно поражение электрическим током.
3. Людям (включая детей) с ограниченными физическими, сенсорными или психическими способностями, а также при недостатке опыта и знаний разрешается пользоваться данным бытовым прибором только под наблюдением лица, ответственного за их безопасность, и после инструктажа по использованию прибора. Дети должны быть под присмотром и не играть с прибором.
4. Когда прибор не работает и до его разборки и очистки, вынимайте вилку из розетки электропитания
5. Не касайтесь движущихся частей прибора. Для того, чтобы избежать риска несчастных случаев или повреждения прибора, не допускайте касания работающего прибора руками, волосами, частями одежды, а так же лопатками или другими инструментами. **НЕ ИСПОЛЬЗУЙТЕ ДЛЯ ОЧИСТКИ БАЧКА ОСТРЫЕ ПРЕДМЕТЫ ИЛИ ИНСТРУМЕНТЫ.** Они могут повредить внутреннюю поверхность бачка. После того, как прибор выключен, для этого могут быть использованы резиновая лопатка или деревянная ложка.
6. Провод питания аппарата не может быть заменен самим пользователем, так как его замена требует использования специальных инструментов. В случае повреждения кабеля обращайтесь только в авторизированный производителем прибора сервисный центр.
7. Не используйте прибор с поврежденным проводом питания или вилкой, а также в случае его неисправности, либо падения, или любого повреждения. В этих случаях рекомендуется отнести прибор для ремонта в ближайший авторизированный сервисный центр.
8. Использование инструментов, не разработанных специально для этого прибора, может послужить причиной пожара или поражения электрическим током.
9. Не используйте прибор вне помещений.
10. Не допускайте, чтобы кабель питания свешивался со стола или с места работы прибора – это позволит избежать контакта провода с нагретыми поверхностями.
11. Этот прибор предназначен для использования в домашнем хозяйстве. Любая операция по обслуживанию прибора, выходящая за рамки обычной очистки, должна выполняться сервисным центром, авторизированным производителем прибора.
12. **НИ В КОЕМ СЛУЧАЕ не кладите прибор не бок и не переворачивайте его.**
13. Пользуйтесь мороженицей вдали от источников тепла, поставив ее на расстоянии не менее 20 см от стен или предметов, которые могут ограничить циркуляцию воздуха.
14. Любая операция по обслуживанию прибора, выходящая за рамки обычной очистки, должна выполняться сервисным центром, авторизированным производителем прибора.
15. Прибор должен подключаться только к розеткам с допустимым током не менее 5 А и надежным заземлением. Производитель не может считаться ответственным за возможный ущерб, связанный с отсутствием заземления. В случае возникновения сомнений обратитесь к квалифицированному специалисту.
16. Материалы и детали, предназначенные для использования в контакте с продуктами питания, соответствуют законодательным актам ЕЭС 1935/2004. Данный прибор отвечает требованиям предписания по низкому напряжению 2006/95/CE, предписания по электромагнитной совместимости 2004/108/CE.
17. Данный прибор предназначен для использования с 32 ° С Макс. Температура окружающей среды (климатические класса "N").

ХРАНИТЕ ИНСТРУКЦИИ ПО ЭКСПЛУАТАЦИИ ПРИБОРА

ОПИСАНИЕ

- | | |
|--|-----------------------------|
| A. Мотор мешалки | L. Шнур электропитания |
| B. Переключатель ВКЛ/ВЫКЛ (ON/OFF) | M. Кнопка открывания крышки |
| C. Кнопка защелки крышки | N. Индикатор |
| D. Запатентованная мешалка | O. Выключатель охлаждения |
| E. Корпус мороженицы | P. Крышка |
| F. Съёмный бачок | Q. Отверстие в крышке |
| G. Мерка | |
| H. Лопатка | |
| I. Разъем для подключения провода мотора мешалки | |

ФУНКЦИОНИРОВАНИЕ

1. Вставьте вилку в розетку электропитания,
2. По крайней мере, за 5 минут до заполнения компонентами включите выключатель охлаждения.
3. Установите крышку с корпусом мотора привода мешалки и закрепите ее на корпусе.
4. Включите выключатель ВКЛ/ВЫКЛ (ON/OFF),
5. Добавьте ингредиенты.

Мороженое будет готово через 20-40 минут.

Время, необходимое для готовки мороженого зависит, кроме температуры помещения, от типа и количества используемых ингредиентов и от температуры бачка.

ИСПОЛЬЗОВАНИЕ В ПЕРВЫЙ РАЗ

ОБРАТИТЕ ВНИМАНИЕ: по крайней мере, за 12 часов до первого использования поставьте мороженицу на плоскую поверхность в горизонтальном положении.

- Выполняйте эту процедуру и впоследствии, каждый раз после того, когда мороженица по какой-либо причине находилась не в горизонтальном положении
- До использования мороженицы тщательно промойте все части, которые контактируют с мороженым, съёмный бачок, мешалку и прозрачную крышку.

ПОДГОТОВКА СМЕСИ

- Выберите один из имеющихся рецептов и предварительно смешайте ингредиенты.
Обратите внимание:
- используйте фрукты и ингредиенты с удаленными подпорченными частями,
- для уменьшения времени приготовления мороженого используйте ингредиенты охлажденные в холодильнике,
- для того, чтобы объем мороженого увеличился сверх нормы, не готовьте общего количества смеси более, чем 800 г.

ПРИГОТОВЛЕНИЕ МОРОЖЕНОГО

1. Установите прибор рядом с розеткой электропитания на ровной и устойчивой поверхности.
2. Поставьте мороженицу таким образом, чтобы вокруг нее было достаточно много места и не были закрыты решетки вентиляции, расположенные по бокам.
3. Убедитесь в том, что напряжение, указанное на табличке прибора, соответствует напряжению сети электропитания.

4. Вставьте вилку в розетку электропитания.
5. Включите выключатель охлаждения **O**, расположенный на корпусе машины. При этом загорится индикатор **N**, сигнализируя о том, что система охлаждения работает. До наполнения компонентами подождите 5 минут.
6. Тем временем соедините мотор с крышкой и прикрепите мешалку, рис. 1. Закройте прибор, установив собранную часть (мотор, крышку и мешалку) на корпус мороженицы и поверните ее по часовой стрелке до зацепления, рис. 2.
7. Вставьте вилку корпуса мотора мешалки в разъем **I**, находящийся на корпусе прибора.
8. Через 5 минут, нажав выключатель ВКЛ/ВЫКЛ (ON/OFF) **B**, залейте ингредиенты в отверстие в крышке.
9. Не наполняйте бачок более чем наполовину, во время работы смесь увеличится в объеме.
10. Желательно, чтобы ингредиенты были охлаждены до температуры морозильника, ни в коем случае не используйте их в горячем виде.
11. Во время готовки через отверстие в крышке можно добавить шоколад в виде крошки, изюм и другие ингредиенты. Компоненты, содержащие алкоголь, добавляются только в конце приготовления, так как они значительно замедляют охлаждение. Мороженое в последние минуты готовки увеличится в объеме и заполнит бачок.
12. Время готовки может варьироваться от 20 до 40 минут в зависимости от выбранного рецепта, количества и температуры используемых компонентов.

Внимание: избегайте выключения выключателя охлаждения **O** до окончания готовки мороженого. Если это все-таки произойдет, или по какой-либо причине будет отключено напряжение, специальное устройство, которым оснащен компрессор, не позволит продолжать охлаждение в течение около 5 минут, влияя на хорошее качество мороженого.

13. Когда мороженое достигнет необходимой консистенции, мешалка переменит направление вращения, сигнализируя, что мороженое готово. Это вращение не вредит ни мотору, ни мешалке, но лучше мешалку остановить.
14. Если нужно, чтобы мороженое было гуще, оставьте включенным выключатель охлаждения еще на 5-10 минут.

Внимание: не забывайте выключать выключатель охлаждения, так как мороженое может превратиться в глыбу льда.

15. Выключите выключатель ВКЛ/ВЫКЛ (ON/OFF) **B**, извлеките вилку, снимите мотор и прозрачную крышку, повернув ее против часовой стрелки. Для облегчения извлечения мороженого достаньте также мешалку **D**.
16. Извлеките мороженое из бачка, используя специальную прилагаемую лопатку либо пластиковую или деревянную ложку, чтобы избежать повреждений стенок и дна бачка.
17. Через несколько минут после извлечения мороженого, когда бачок перестал быть очень холодным, очистите его влажной тканью или бумажными кухонными салфетками от остатков мороженого, затем тщательно высушите.

ИСПОЛЬЗОВАНИЕ СЪЕМНОГО БАЧКА

Для использования съемного бачка выполните следующее:

Залейте в закрепленный бачок одну мерку алкоголя (водки, бренди), мерка вмещает 25 мл. В качестве альтернативы вы можете использовать раствор соли в воде (5 г соли в 20 мл воды). Полностью вставьте съемный бачок F в закрепленный бачок.

Чтобы обеспечить хорошую передачу холода от закрепленного бачка к съемному и приготовить вкусное мороженое, очень большую важность имеет правильное выполнение этой операции.

Соедините мотор с крышкой и прикрепите мешалку, рис. 1.

Закройте прибор, установив собранную часть (мотор, крышку и мешалку) на корпус мороженицы, обратив внимание на совмещение выемки в крыше и защелки на ручке съемного бачка, рис. 3, и поверните ее по часовой стрелке до зацепления, рис. 2.

Включите выключатель охлаждения **O**, подождите примерно 5 минут и приготовьте мороженое так же, как и в случае закрепленного бачка.

Когда мороженое будет готово, снимите крышку и достаньте бачок. Очистите и высушите закрепленный бачок при помощи солевого раствора или спирта.

ХРАНЕНИЕ МОРОЖЕНОГО

В мороженице

Когда мороженое готово, закрыв, вы можете хранить его в самой мороженице примерно в течение 10-20 минут при выключенном моторе. До подачи на стол, для придания нужной густоты, несколько минут перемешивайте его.

В морозильнике

Можно хранить (ограниченное время) мороженое в морозильнике. Долгое пребывание в морозильнике, в любом случае, не улучшает его вкус и качество. Через 1-2 недели мороженое опадает и теряет свежий вкус. Свежее мороженое имеет лучший вкус.

Если вы все равно захотите сохранить мороженое в морозилке, соблюдайте следующие правила:

Храните мороженое в совершенно чистом и хорошо закрытом контейнере.

Температура хранения должна быть как минимум -18°C .

Отметьте на контейнере дату приготовления и вид мороженого.

ВНИМАНИЕ

В мороженом могут размножаться бактерии. По этой причине важно, чтобы мороженица и инструменты были чистыми и сухими.

Ни в коем случае вновь не замораживайте растаявшее или полурастаявшее мороженое. Для подачи на стол достаньте мороженое из морозильника за полчаса и поместите его в холодильник. При необходимости для того, чтобы температура мороженого была пригодной для потребления, вы можете на 10-15 минут оставить его при температуре помещения.

СРОК ХРАНЕНИЯ

Мороженое на основе сырых ингредиентов: ± 1 неделя

Сорбетто: 1-2 недели

Мороженое на основе полусырых ингредиентов: ± 2 недели

УХОД ЗА МОРОЖЕНИЦЕЙ

При приготовлении мороженого очень важно соблюдать гигиену.

До выполнения ухода за мороженицей убедитесь, что вилка извлечена из розетки электропитания.

Для того, чтобы снять крышку с мотора мешалки, нажмите на кнопку защелки крышки С, находящуюся под мотором, рис. 4.

Не пользуйтесь моечной машиной для очистки частей прибора

Мотор может быть очищен влажной тканью.

Охлаждающий бачок, крышка и мешалка промывается теплой водой и моющим средством.

Не погружайте корпус мотора в воду и не споласкивайте его под краном.

Внимание: Если вы используете алюминиевый съемный бачок, крайнюю важность для того, чтобы избежать коррозии, приобретает тщательная очистка всех частей, контактирующих с солевым раствором.

ПОЛЕЗНЫЕ СОВЕТЫ

- Некоторые рецепты предусматривают варку. Воспользуйтесь ими по крайней мере за день для того, чтобы смесь охладилась и созрела. Настоятельно рекомендуется охлаждать подготовленную смесь.
- Охлажденные полуфабрикаты дадут лучшие результаты, если яйцо и сахар взбиваются электрическим миксером. Такой способ делает смесь более объемной.
- Большая часть полуфабрикатов изготавливается из сливок, молока, яиц и сахара. Можете использовать любые сливки, но вкус и густота мороженого зависят от выбранного сорта и качества. Чем больше жирность сливок, тем более богатым по вкусу будет мороженое. Например, в цельных сливках содержится минимум 36% жиров, в сбитых сливках — 30%, в сливках для кофе или сепарированных сливках — 18%, в сливках наполовину разбавленных молоком — 10%. В любом случае, важно поддерживать одно и то же количество жидкости. Например, более легкое мороженое может быть приготовлено с большим количеством молока, чем сливок или вообще без них. Можно использовать снятое молоко, но будет заметно значительное отличие густоты мороженого.
- Смесь для мороженого может храниться в холодильнике несколько дней. Прежде чем переложить в бачок, как следует перемешайте его.
- Добавляйте смесь в бачок до заполнения наполовину, смесь во время готовки увеличится в объеме.
- Алкогольные напитки замедляют скорость охлаждения. Рекомендуется добавлять их в последние минуты готовки.
- Вкус мороженого Сорбетто во многом зависит от степени его созревания, сладости фруктов и используемого сока. Прежде чем добавлять, попробуйте фрукты на вкус. Если они слишком кислые, добавьте сахар, если перезрелые, кладите меньше или вовсе не кладите сахар. Во всяком случае, не забывайте, что холод уменьшает степень сладости.
- Вместо сахара могут быть использованы подсластители. В таком случае, добавьте подсластитель к полуфабрикату и перемешивайте его до полного растворения.
- Нагретые полуфабрикаты должны перекладываться в бачок только после полного охлаждения.
- Если мороженое необходимо сделать более сладким, не добавляйте сахар непосредственно в бачок (он там не растворится). Рекомендуется предварительно растворить сахар в небольшом количестве воды или снятом молоке и затем полученный сироп (охлажденный) добавить в бачок мороженицы.
- Используемые фрукты до употребления должны быть промыты и высушены, кроме этого, даже если это не написано, они должны быть очищены от кожуры, скорлупы, орехи извлечены из скорлупы и т.д.
- Если необходимо уменьшить количество мороженого, указанные количества можно разделить на части или наполовину.

- При использовании сырых яиц убедитесь в их свежести, разбивая по одному в сосуд и убеждаясь, что
 1. у них нет плохого запаха;
 2. белок не водянистый, а плотный и прилегает к желтку;
 3. желток круглый и пухлый.

ЧТО МОЖЕТ ПОМЕШАТЬ?

В нормальных условиях приготовление мороженого требует более 40 минут.

В случае, если в течение 40 минут мороженое не сформировалось, до обращения в авторизованный сервисный центр проверьте все пункты, указанные ниже.

- Компоненты должны добавляться в мороженицу при комнатной температуре или, лучше, при температуре холодильника. Если ингредиенты горячие, приготовление мороженого невозможно.
- Бачок не должен наполняться более чем наполовину от своего объема (максимальное количество ингредиентов – 800 г). Если количество ингредиентов избыточное, время, требуемое для формирования мороженого, значительно увеличивается и результат может быть неудовлетворительным.
- В случае наличия аварийного устройства на компрессоре, при сбоях напряжения или если машина была выключена и потом включена по каким-то причинам, работа холодильного устройства прекращается. В таких случаях до включения необходимо дать устройству зарядиться в течение 5 минут. Если интервал 5 минут не соблюдается, работа не возобновляется, несмотря на то, что кнопка охлаждения находится в положении ВКЛ (ON) и соответствующая лампа горит.

До обращения в авторизованный центр технического обслуживания настоятельно рекомендуется проконтролировать пункты, указанные выше. Если в центре технического обслуживания не обнаружатся неисправности в работе машины, расходы на проведенную проверку оплачивает пользователь.

МОРОЖЕНОЕ

МОРКОВНОЕ МОРОЖЕНОЕ

ИНГРЕДИЕНТЫ: 250 г сахара, 1,3 кг молодой моркови, 1 лимон, 4 дл сливок для взбивания

Почистите и помойте морковь, в соковыжималке извлеките из нее сок, перелейте его в кастрюлю, разбавьте одним децилитром воды и поставьте на небольшой огонь, добавив сахар и лимонный сок. Готовьте 5 минут, избегая кипения, затем снимите с огня и охладите. Взбейте сливки, хорошо перемешайте и поставьте смесь для охлаждения в холодильник. Перелейте смесь в мороженицу и включите ее на 30 минут.

МОРОЖЕНОЕ С ЧАЕМ

ИНГРЕДИЕНТЫ: 4 чайные ложки чая, сок 3 апельсинов, 1/2 литра жидких сливок, 2 яйца, сахар, 1/2 стакана воды

Доведите воду до кипения, высыпьте в нее чай и оставьте завариваться 3 минуты. Отфильтруйте, охладите и поместите в холодильник. Энергично взбейте холодный чай вместе с жидкими сливками, соком апельсинов и яичным белком. Когда смесь станет однородной, перелейте ее в мороженицу, и включите ее на 30 минут.

МОРОЖЕНОЕ АЛЬ ТОРРОНЕ

ИНГРЕДИЕНТЫ: 30 г засахаренных орешков кедра, 40 г засахаренной красной тыквы, 30 г сладкого миндаля, 20 г фисташек, 1 дл молока, 4 яичных желтка, 1 пакетик ванильного сахара

Приготовьте крем из молока, сахарной пудры и ванильного сахара, яичных желтков. Когда смесь даст пену, добавьте фисташки, миндаль, кедровые орешки и тыкву, порезанную на кусочки. Тщательно перемешайте смесь, перелейте ее в мороженицу, и включите примерно на 30-40 минут.

ФИНИКОВОЕ МОРОЖЕНОЕ

ИНГРЕДИЕНТЫ: 200 г фиников, 200 г молока, 150 г жидких сливок, 1 чайная ложка ячменного солода

Выньте из фиников косточки и очистите их от кожуры, которая легко снимается. Разотрите, добавьте ячменный солод и разбавьте молоком и сливками. Тщательно перемешайте смесь, перелейте ее в мороженицу, и включите примерно на 30 минут.

Эта процедура используется при приготовлении мороженого на базе абрикосов или сухих слив.

МОРОЖЕНОЕ С РИСОМ И ИЗЮМОМ

ИНГРЕДИЕНТЫ: 150 риса в полуфабрикате, 50 г изюма, 1/2 литра молока, 2 ложки меда, 1 палочка ванилина, 1 щепотка соли, сок и цедра лимона, цедра апельсина.

Приготовьте рис в молоке вместе с изюмом и ванилином. Доведите до кипения, посолите, оставьте на небольшом огне и готовьте, пока молоко полностью не впитается. Выньте ванилин и охладите. Протрите цедру лимона и апельсина и выжмите лимон. Добавьте в охлажденный рис мед. Взбейте смесь и перелейте ее в мороженицу, включив ее примерно на 30 минут.

МОРОЖЕНОЕ ИЗ КАШТАНОВ

ИНГРЕДИЕНТЫ: 250 г мякоти каштана, 250 г молока, 100 г сливок, 1 яйцо, 2 ложки меда, щепотку соли

Для извлечения мякоти снимите кожуру, взвесьте и затем на несколько минут залейте кипятком, чтобы облегчить снятие пленки. Если вы используете сухие каштаны, для размягчения, оставьте их на ночь в холодной воде, и затем слейте воду. Налейте воду и сливки в кастрюлю, доведите смесь до кипения, засыпьте каштаны, слегка подсолите и медленно варите примерно один час. Когда каштаны хорошо проварятся, используя картофелемялку или толкушку, перетрите их в крем, добавив по необходимости молока для придания требуемой консистенции.

После этого добавьте мед и энергично перемешайте или быстро взбейте для придания равномерности смеси. Когда смесь хорошо остынет, перелейте ее в мороженицу, включив ее примерно на 30 минут.

ПЛОМБИР

Пломбир – самое легкое и "пенистое" мороженое, которое состоит из взбитых сливок или взбитых белков с добавлением различных ингредиентов. Пломбир может быть охлажден в различных формочках или между двумя печеньями, как подсказывают классические рецепты.

ПЛОМБИР С ОРЕХАМИ В КАРАМЕЛИ

ИНГРЕДИЕНТЫ: 2/3 чашки молотых орехов, 185 г сахара, 1/2 л молока, 3 яичных желтка, 1 чашка взбитых сливок, 1/2 палочки ванилина.

Откройте ванилин и используйте его для ароматизации молока. Подготовьте мягкий ровный крем, вскипятив в водяной бане желтки, молоко, треть сахара и щепотку соли; в конце выньте палочку ванилина.

Отдельно приготовьте из сахара карамель, добавьте орехи и вылейте все в сковородку, смазанную сливочным маслом, где смесь должна спокойно остыть.

После остывания и застывания разбейте ее на части и перемелите в миксере. Соедините перемолотую карамель с предварительно подготовленным кремом, тщательно перемешайте при помощи деревянной ложки и осторожно добавьте взбитые сливки. Перелейте смесь в мороженицу, и включите ее примерно на 30 минут.

ШОКОЛАДНЫЙ ПЛОМБИР

ИНГРЕДИЕНТЫ: 75 г растопленного шоколада, 185 г сахара, 4 чашки взбитых сливок, 1 чайная ложка ванилина, соль.

Размягчьте шоколад в трех четвертях чашки кипящей воды и добавьте сливки. Тщательно перемешайте с сахаром, щепоткой соли и ванилином и перелейте смесь в мороженицу, включив ее примерно на 30 минут.

ЧЕРЕШНЕВЫЙ ПЛОМБИР

INGREDIENTI: 500 г черешен без косточек в сиропе, 4 яйца, 300 г сахара, 250 г молока, 1 палочка ванилина

В миске смешайте три желтка с третью сахара до получения кремовидной мягкой смеси. Одновременно нагрейте молоко, ароматизированное при помощи палочки ванилина (потом ее нужно будет вынуть) и постепенно залейте его, перемешивая с яйцами и сахаром. Смесь из яиц варите в водяной бане до тех пор, пока она не загустеет, затем, не переставая перемешивать, перелейте смесь в сосуд со льдом и охладите. После этого приготовьте сироп, растворив оставшийся сахар в 4-5 ложках воды, и доведите до кипения. Затем снимите с огня. Взбейте яичные желтки, затем струйкой влейте сахарный сироп, продолжая энергично перемешивать до получения мягкой смеси, которая будет соединена с яичным кремом, осторожно смешивая снизу вверх, так чтобы крем не опал. Слейте консервирующий сироп из черешен и перетрите примерно половину, соединив затем с приготовленной смесью. Перемешайте и немного сгустите в мороженице, затем перелейте охлажденный ледяной бачок, поместив его в морозильник, по крайней мере, на один час.

ЗЕМЛЯНИЧНЫЙ ПЛОМБИР

ИНГРЕДИЕНТЫ: 500 г земляники, 370 г сахара, лимон, 1 чашка жидких сливок, соль

Промойте землянику, покройте сахаром и оставьте на два часа. Продавите ягоды через мелкое сито и добавьте щепотку соли. Поместите сливки в морозильник и доведите их до густоты пломбира, затем понемногу добавьте земляничный сок. Перелейте смесь в мороженицу, включив ее примерно на 30 минут.

СОРБЕТТО

СОРБЕТТО С ИНЖИРОМ

ИНГРЕДИЕНТЫ: 500 г зрелого инжира, 50 г тростникового сахара, 100 г молока, сок 1/2 лимона

Очистите инжир от кожицы. Смешайте в миксере инжир с сахаром, молоком и соком лимона. Перелейте смесь в мороженицу, включив ее до достижения необходимой густоты.

СОРБЕТТО С АРБУЗОМ

ИНГРЕДИЕНТЫ: 500 г мякоти арбуза, 100 г сахара, 100 г воды, 100 г жидких сливок, сок лимона

Разрежьте мякоть арбуза на дольки, извлеките все семечки, стараясь собрать сок, затем перемешайте в миксере с лимонным соком. Отдельно приготовьте сироп, прокипятив в течение нескольких минут сахар, растворенный в воде и нескольких ложках сока арбуза.

Охладите сироп. Взбейте сливки. Перемешайте все компоненты, добавив арбуз и сироп в сливки, проявляя осторожность, чтобы сливки не опали. Перелейте смесь в мороженицу, включив ее до достижения необходимой густоты.

СОРБЕТТО С МАЛИНОЙ

ИНГРЕДИЕНТЫ: 500 г зрелой малины, 100 г сахара, 150 г воды, 1 белок, сок лимона

Быстро и осторожно промойте малину под тонкой струей проточной воды. Слейте воду, залейте малину лимонным соком, подслащенным небольшим количеством сахара. Одновременно приготовьте сироп, прокипятив в кастрюле воду с сахаром в течение 10 минут. До того, как переложить в мороженицу, охладите и перемешайте в миксере все компоненты и переложите в мороженицу.

СОРБЕТТО С КИВИ

ИНГРЕДИЕНТЫ: 500 г зрелых киви, 50 г сахара, сок лимона

Очистите киви и разрежьте на дольки. Смешайте в миксере киви с сахаром и соком лимона. Перелейте смесь в мороженицу, включив ее до достижения необходимой густоты.

СОРБЕТТО С МАНДАРИНОМ

ИНГРЕДИЕНТЫ: 4 зрелых мандарина, 1 апельсин, 150 г сахара, 250 г воды, 250 г жидких сливок

Прежде всего, приготовьте сироп, прокипятив в кастрюле воду с сахаром в течение 10 минут. Когда сироп еще горячий, добавьте в него тертую апельсиновую цедру и охладите. Одновременно выжмите мандарины и половину апельсина и добавьте сок в охлажденный сироп.

Тщательно перемешивая, добавьте взбитые сливки и перелейте смесь в мороженицу, включив ее до достижения необходимой густоты.

U.K.: IMPORTANT INFORMATION FOR CORRECT DISPOSAL OF THE PRODUCT IN ACCORDANCE WITH EC DIRECTIVE 2002/96/EC.

At the end of its working life, the product must not be disposed of as urban waste. It must be taken to a special local authority differentiated waste collection centre or to a dealer providing this service. Disposing of a household appliance separately avoids possible negative consequences for the environment and health deriving from inappropriate disposal and enables the constituent materials to be recovered to obtain significant savings in energy and resources. As a reminder of the need to dispose of household appliances separately, the product is marked with a crossed-out wheeled dustbin.

F: AVERTISSEMENTS POUR L'ÉLIMINATION CORRECTE DU PRODUIT AUX TERMES DE LA DIRECTIVE EUROPÉENNE 2002/96/EC.

Au terme de son utilisation, le produit ne doit pas être éliminé avec les déchets urbains. Le produit doit être remis à l'un des centres de collecte sélective prévus par l'administration communale ou auprès des revendeurs assurant ce service. Éliminer séparément un appareil électroménager permet d'éviter les retombées négatives pour l'environnement et la santé dérivant d'une élimination incorrecte, et permet de récupérer les matériaux qui le composent dans le but d'une économie importante en termes d'énergie et de ressources. Pour rappeler l'obligation d'éliminer séparément les appareils électroménagers, le produit porte le symbole d'un caisson à ordures barré.

D: WICHTIGER HINWEIS FÜR DIE KORREKTE ENTSORGUNG DES PRODUKTS IN ÜBEREINSTIMMUNG MIT DER EGRICHTLINIE 2002/96/EG.

Am Ende seiner Nutzungsdauer darf das Produkt NICHT zusammen mit dem Siedlungsabfall beseitigt werden. Es kann zu den eigens von den städtischen Behörden eingerichteten Sammelstellen oder zu den Fachhändlern, die einen Rücknahmeservice anbieten, gebracht werden. Die getrennte Entsorgung eines Haushaltsgerätes vermeidet mögliche negative Auswirkungen auf die Umwelt und die menschliche Gesundheit, die durch eine nicht vorschriftsmäßige Entsorgung bedingt sind. Zudem ermöglicht wird die Wiederverwertung der Materialien, aus denen sich das Gerät zusammensetzt, was wiederum eine bedeutende Einsparung an Energie und Ressourcen mit sich bringt. Zur Erinnerung an die Verpflichtung, die Elektrohaushaltsgeräte getrennt zu beseitigen, ist das Produkt mit einer Mülltonne, die durchgestrichen ist, gekennzeichnet.

I: AVVERTENZE PER IL CORRETTO SMALTIMENTO DEL PRODOTTO AI SENSI DELLA DIRETTIVA EUROPEA 2002/96/EC.

Alla fine della sua vita utile il prodotto non deve essere smaltito insieme ai rifiuti urbani. Può essere consegnato presso gli appositi centri di raccolta differenziata predisposti dalle amministrazioni comunali, oppure presso i rivenditori che forniscono questo servizio. Smaltire separatamente un elettrodomestico consente di evitare possibili conseguenze negative per l'ambiente e per la salute derivanti da un suo smaltimento inadeguato e permette di recuperare i materiali di cui è composto al fine di ottenere un importante risparmio di energia e di risorse. Per rimarcare l'obbligo di smaltire separatamente gli elettrodomestici, sul prodotto è riportato il marchio del contenitore di spazzatura mobile barrato.

NL: BELANGRIJKE INFORMATIE VOOR DE CORRECTE VERWERKING VAN HET PRODUCT IN OVEREENSTEMMING MET DE EUROPESE RICHTLIJN 2002/96/EC

Aan het einde van zijn nuttig leven mag het product niet samen met het gewone huishoudelijke afval worden verwerkt. Het moet naar een speciaal centrum voor gescheiden afvalinzameling van de gemeente worden gebracht, of naar een verkooppunt dat deze service verschaft. Het apart verwerken van een huishoudelijk apparaat voorkomt mogelijke negatieve gevolgen voor het milieu en de gezondheid die door een ongeschikte verwerking ontstaan en zorgt ervoor dat de materialen waaruit het apparaat bestaat teruggewonnen kunnen worden om een aanmerkelijke besparing van energie en grondstoffen te verkrijgen. Om op de verplichting tot gescheiden verwerking van elektrische huishoudelijke apparatuur te wijzen, is op het product het symbool van een doorgestreepte vuilnisbak aangebracht.

E: ADVERTENCIAS PARA LA ELIMINACIÓN CORRECTA DEL PRODUCTO SEGÚN ESTABLECE LA DIRECTIVA EUROPEA 2002/96/CE.

Al final de su vida útil, el producto no debe eliminarse junto a los desechos urbanos. Puede entregarse a centros específicos de recogida diferenciada dispuestos por las administraciones municipales, o a distribuidores que facilitan este servicio. Eliminar por separado un electrodoméstico significa evitar posibles consecuencias negativas para el medio ambiente y la salud derivadas de una eliminación inadecuada y permite reciclar los materiales que lo componen, obteniendo así un ahorro importante de energía y recursos. Para subrayar la obligación de eliminar por separado los electrodomésticos, en el producto aparece un contenedor de basura móvil tachado.

P: ADVERTÊNCIAS PARA A ELIMINAÇÃO CORRECTA DO PRODUTO NOS TERMOS DA DIRECTIVA EUROPEIA 2002/96/EC.

No fim da sua vida útil, o produto não deve ser eliminado juntamente com os resíduos urbanos. Pode ser depositado nos centros especializados de recolha diferenciada das autoridades locais ou, então, nos revendedores que forneçam este serviço. Eliminar separadamente um electrodoméstico permite evitar possíveis consequências negativas para o ambiente e para a saúde pública resultantes de uma eliminação inadequada, além de que permite recuperar os materiais constituintes para, assim, obter uma importante poupança de energia e de recursos. Para assinalar a obrigação de eliminar os electrodomésticos separadamente, o produto apresenta a marca de um contentor do lixo com uma cruz por cima.

Ελληνικά: ΣΗΜΑΝΤΙΚΗ ΠΛΗΡΟΦΟΡΙΑ ΓΙΑ ΤΗΝ ΣΩΣΤΗ ΑΠΟΡΡΙΨΗ ΤΟΥ ΠΡΟΪΟΝΤΟΣ ΣΥΜΦΩΝΑ ΜΕ ΤΗΝ ΟΔΗΓΙΑ ΤΗΣ ΕΥΡΩΠΑΪΚΗΣ ΕΝΩΣΗΣ 2002/96/ΕΚ.

Στο τέλος της λειτουργικής ζωής του, το προϊόν δεν πρέπει να απορρίπτεται ως αστικό απόβλητο. Πρέπει να παραδίδεται σε κάποιο τοπικό εξουσιοδοτημένο κέντρο περισυλλογής απορριμμάτων ή σε κάποιο εμπόρο που παρέχει αυτήν την υπηρεσία. Η απόρριψη οικιακής συσκευής ξεχωριστά από τα οικιακά απόβλητα, αποτρέπει πιθανές αρνητικές επιπτώσεις στο περιβάλλον και την υγεία που προκαλούνται από την ακατάλληλη απόρριψη, έτσι ώστε να επιτυγχάνεται σημαντική εξοικονόμηση ενέργειας και των πηγών αυτής από τα υλικά από τα οποία αποτελείται η συσκευή και τα οποία περιυλλέγονται. Ως υπενθύμιση της ανάγκης ξεχωριστής απόρριψης των οικιακών συσκευών, αυτό το προϊόν διαθέτει το ειδικό σήμα ενός διαγραμμένου κάδου απορριμμάτων.

РУ: ВАЖНАЯ ИНФОРМАЦИЯ ДЛЯ ПРАВИЛЬНОЙ УТИЛИЗАЦИИ ИЗДЕЛИЯ, В СООТВЕТСТВИИ С ДИРЕКТИВОЙ ЕС (ЕВРОПЕЙСКОГО ЭКОНОМИЧЕСКОГО СООБЩЕСТВА) 2002/96/ЕС

В конце своей рабочей жизни продукт не может быть утилизирован как городские отходы. Его необходимо доставить в специальный центр дифференцированного сбора отходов, предусмотренный городской администрацией, либо продавцу, предоставляющему данный вид услуг. Отдельная утилизация бытовых приборов позволяет избежать вероятных негативных последствий для окружающей среды и здоровья, которые могут возникнуть в результате неподобающей утилизации, а также предоставляет возможность повторного использования составляющих материалов, что способствует значительной экономии энергии и ресурсов. Для напоминания о необходимости отдельной утилизации бытовых приборов продукт маркирован знаком перечёркнутого контейнера для сбора мусора.





CERTIFIED
ISO 9001:2008



NEMOX International S.r.l.
Via E. Mattei, N° 14
25026 Pontevecchio
Brescia - ITALY

www.nemox.com

Cod. 50993140F01